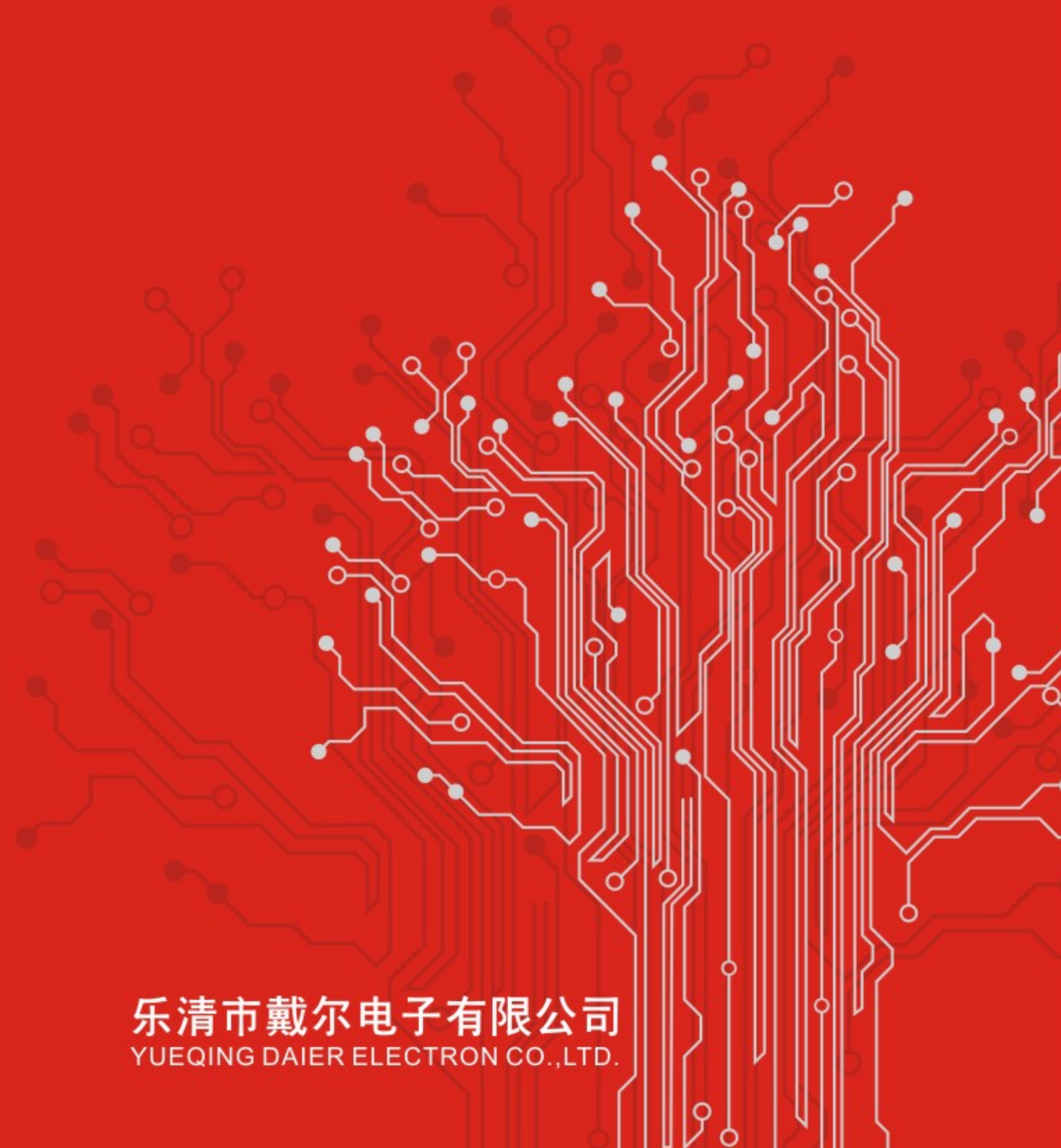




卓越品质 创造品牌



乐清市戴尔电子有限公司
YUEQING DAIER ELECTRON CO.,LTD.

DAIER SWITCH-INDICATOR-FUSE HOLDER-SOCKET&JACK



乐清市戴尔电子有限公司
YUEQING DAIER ELECTRON CO.,LTD.

地址：浙江省乐清市柳市镇西仁岩村柳黄路1636号
Add: No.1636 Liu Huang Rd, Liushi Town, Yueqing City,
Zhejiang, China

国内销售：0577-62770772 / 62782727

国内传真：0577-27870707

TEL: +0086-577-27870727

HTTP://www.chinadaier.com

EMAIL: daier@chinadaier.com

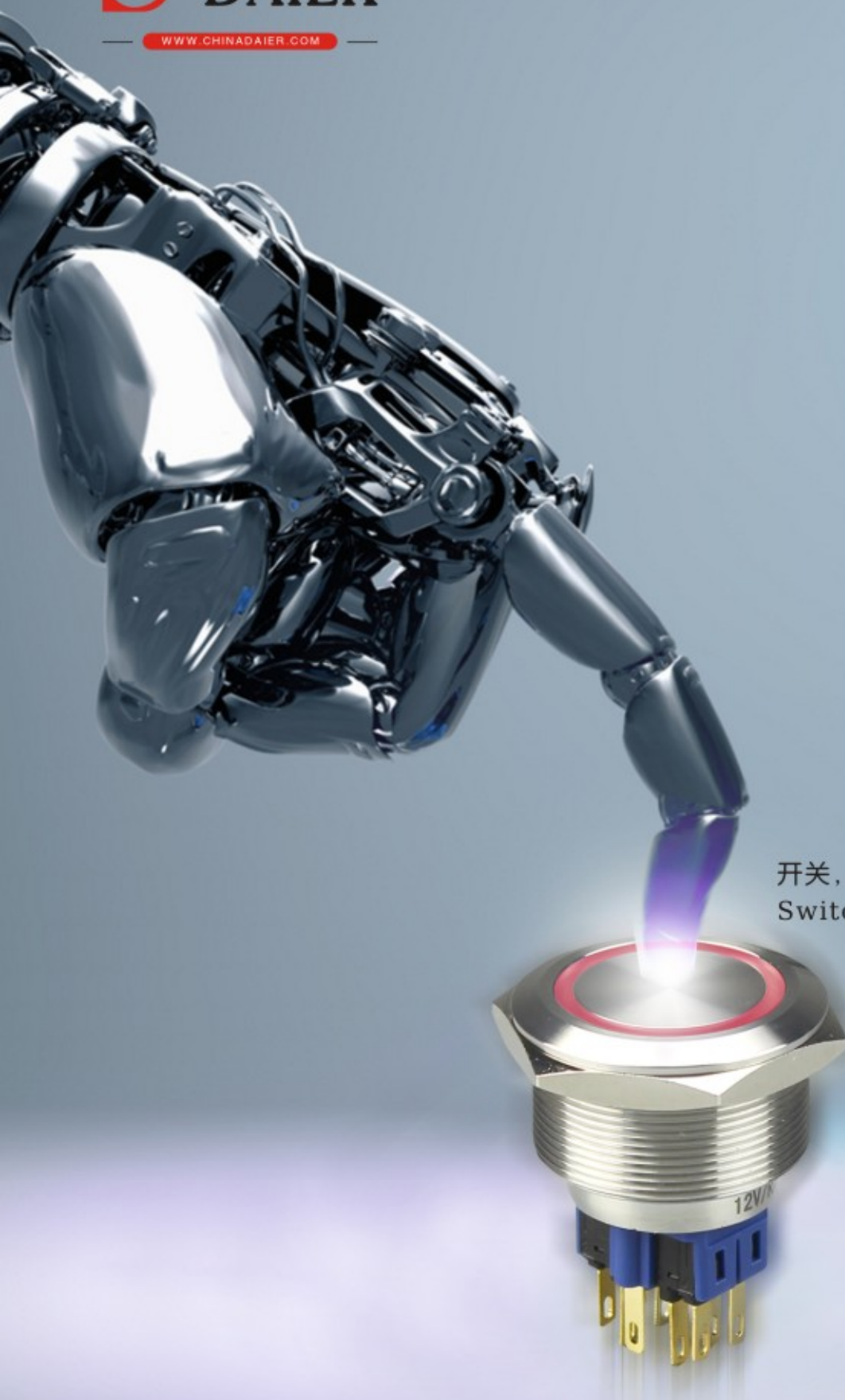




乐清市戴尔电子有限公司

阿里巴巴 | 一达通 | 享补贴
Alibaba.com | 拿货款 | 赢商机
热线电话: 4006552688
Gold Supplier

乐清市戴尔电子有限公司
Daier Electron Co., Ltd.
1527-6172767



开关，开启美好生活
Switch on your bright life

>> Company Profile

企业简介

乐清市戴尔电子有限公司创立于2003年，系目前国内生产小型开关插座的专业型企业。公司坚持“卓越品质，创造品牌”的企业理念，不断创新与探索。

公司严格按照ISO9001：2008国际质量管理体系要求进行有效运行，产品不断推陈出新，质量稳定可靠，大部分产品已通过TUV,CQC,CE,SGS等认证。

规格齐全的产品线、稳定的产品质量和超高的性价比，为我们赢得了众多国内外客户的喜爱。

戴尔电子热忱欢迎国内外新老客户来电来函，共创美好未来！

Yueqing Daier Electron Co.,Ltd was founded in 2003. Daier is a professional manufacturer of electrical switches&sockets in China.

Our factory covers an area of over 3,000 square meters, having a total staff of over 150 members. We have passed ISO9001:2008 certification and we have strong technological capacity, complete production testing equipment and a perfect mould processing center.

We are mainly producing 9 categories and about 4,000 models of switches, fuse holders, indicator lights, sockets, knobs, enclosures and etc. Most of our products have TUV,CE, CQC,ROHS certificate.

With a principle of being creative, advanced and honest, we are always improving our products and services to better satisfy you customers. We believe it's our mission to boost our customer's business, and then our customers will reward us with leadship sales and long-term relationships.

Join with us, we will be your best choice!



>> Product list

产品目录

- 01 | 钮子开关-Toggle Switch
- 17 | 微动开关-Micro Switch
- 27 | 船型开关-Rocker Switch
- 41 | 按钮开关-Push Button Switch
- 55 | 过载保护器-Overload Protector
- 56 | 电子锁-Key Switch
- 57 | 旋转开关-Rotary Switch
- 58 | 轻触开关-Tact Switch
- 60 | 拨码开关-Dip Switch
- 61 | 拨动开关-Slide Switch
- 63 | 汽车开关-Auto Switch&Parts
- 71 | 指示灯-Indicator Light
- 75 | 保险丝座-Fuse Holder
- 79 | 电源插座-Power Outlet
- 82 | 旋钮-Knob
- 85 | 直流插-DC&Audio Jack
- 87 | 香蕉插-Banana Plug&Socket
- 88 | 接线柱-Binding Post
- 89 | 鳄鱼夹-Alligator Clip
- 90 | 电池盒-Battery Holder
- 91 | 连接器-Connector
- 92 | 冷压端子-Terminals

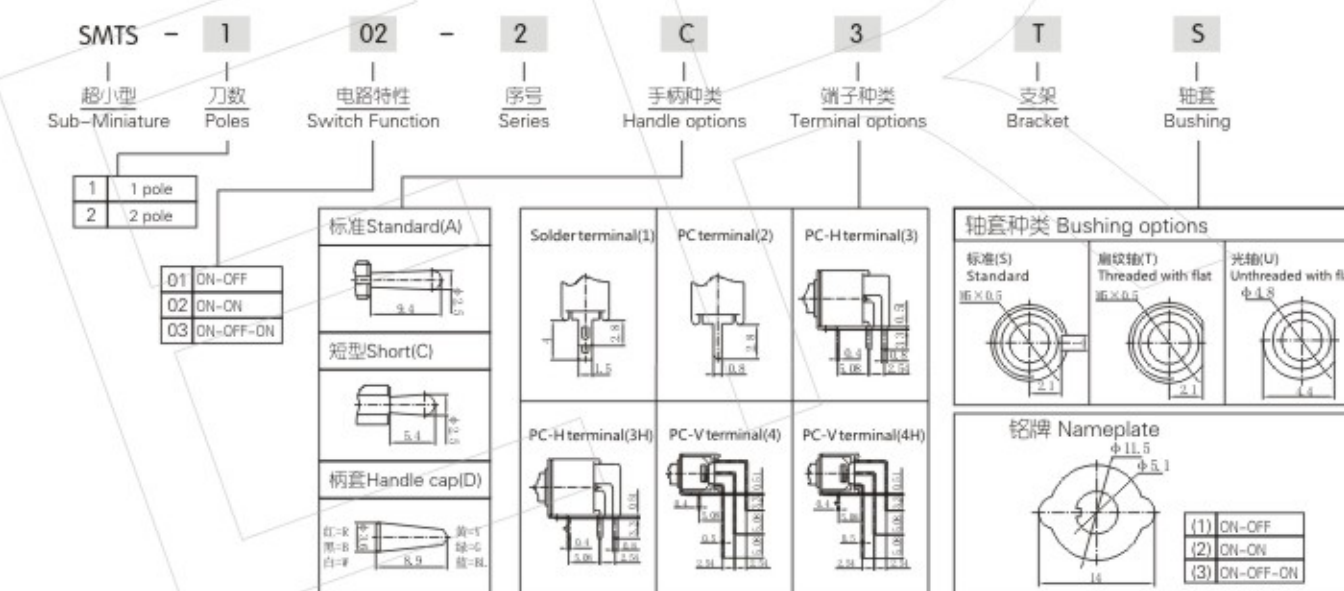


超小型钮子开关 Sub-Miniature Toggle Switch

技术特性 Specifications

1. 规格 Rating: 3A 125VAC; 1.5A 250VAC
2. 接触电阻 Contact Resistance: 20mΩ max
3. 绝缘电阻 Insulation Resistance: 500VDC 1000MΩ min
4. 耐电压 Dielectric Strength: 1000VAC, 1 Minute
5. 操作温度 Operating Temperature: -25°C~ +85°C
6. 电气寿命 Electrical Life: ≥10,000 Cycles

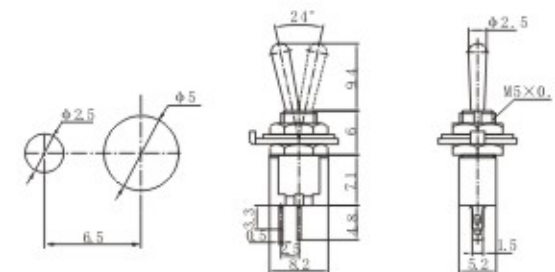
选型说明 How to order



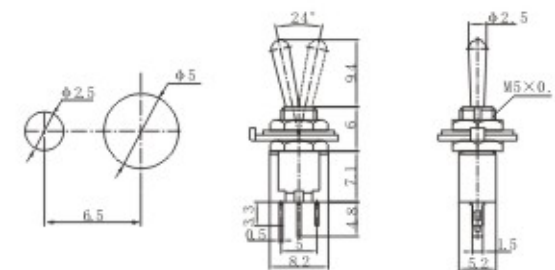
外形尺寸 Dimension



SMTS-101 ON-OFF
SPST 2P

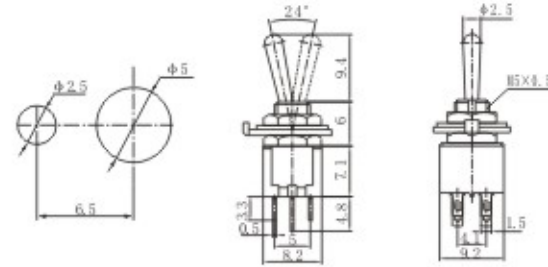


SMTS-102 ON-ON
SPDT 3P

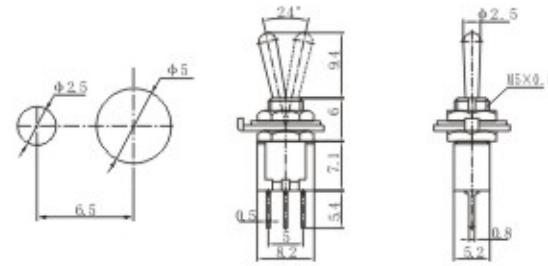




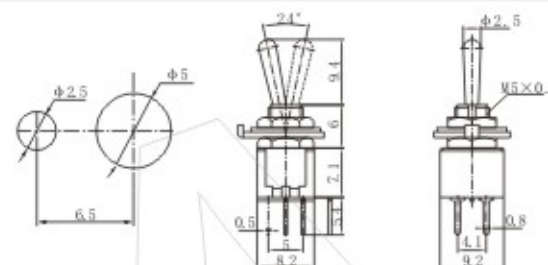
SMTS-202 ON-ON
DPDT 6P



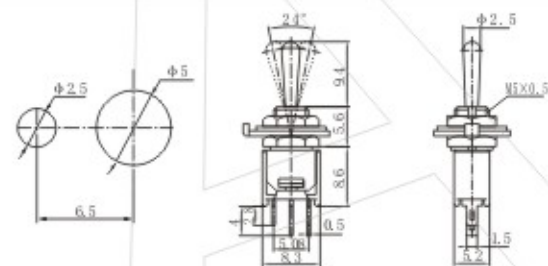
SMTS-102-A2 ON-ON
SPDT 3P



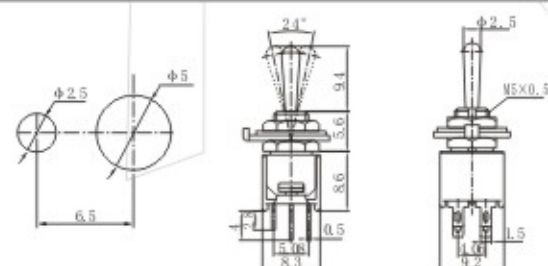
SMTS-202-A2 ON-ON
DPDT 6P



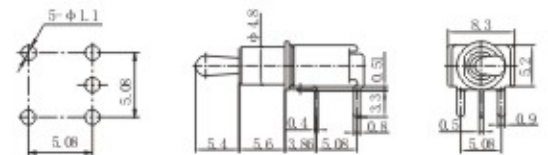
SMTS-103-2A1 ON-OFF-ON
SPDT 3P



SMTS-203-2A1 ON-OFF-ON
DPDT 6P



SMTS-102-2C3 ON-ON
SMTS-103-2C3 ON-OFF-ON
SPDT 3P



小型钮子开关 Miniature Toggle Switch

技术特性 Specifications

1. 规格 Rating: 6A 125VAC; 3A 250VAC
2. 接触电阻 Contact Resistance: 20mΩ max
3. 绝缘电阻 Insulation Resistance: 500VDC 1000MΩ min
4. 耐电压 Dielectric Strength: 1500VAC, 1 Minute
5. 操作温度 Operating Temperature: -25°C~ +85°C
6. 电气寿命 Electrical Life: ≥10,000 Cycles

选型说明 How to order

MTS - 1 02 - A 1 T - R

小型 Miniature Poles 刀数 Switch Function 手柄种类 Handle options 端子种类 Terminal options 支架 Bracket 底座颜色 Housing color

防水帽 Water proof cap WPC-05

1 1 pole	2 2 pole	3 3 pole	4 4 pole
----------	----------	----------	----------

01 ON-OFF
02 ON-ON
11 OFF-(ON)
12 ON-(ON)(带复位)
03 ON-OFF-ON
13 ON-OFF-(ON)(带复位)
23 (ON-OFF-(ON)(双复位))

() : 回弹指示 Indicates Momentary

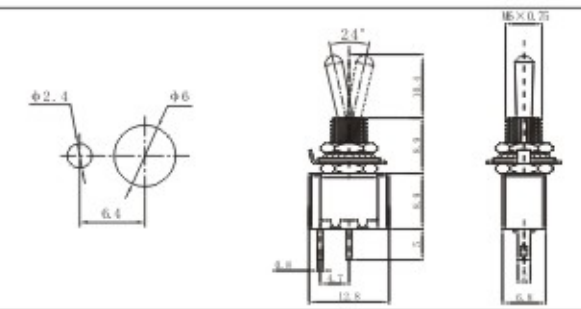
Solder terminal (1) PC terminal (2) PC-H terminal (3) PC-V terminal (4) Long Solder terminal (5) 铭牌 Nameplate

标准 Standard (A)	长型 Long (B)	短型 Short (C)	带柄套 With handle cap (D)	大型 Grand (E)	特大型 Large handle (L)	塑料扁柄 Plastic Flat (E)	金属扁柄 Metal Flat (F)	长金属扁柄 Long Metal Flat (FL)
-----------------	-------------	--------------	-------------------------	--------------	----------------------	-----------------------	---------------------	----------------------------

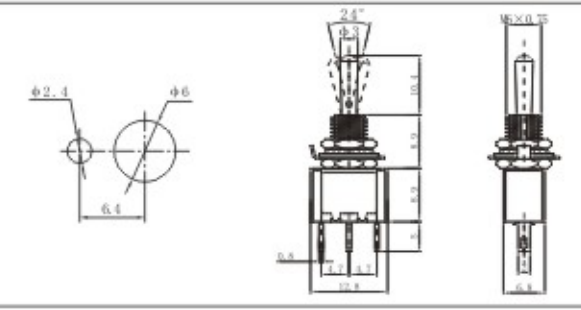
外形尺寸 Dimension



MTS-101 ON-OFF
MTS-111 OFF-(ON)
SPST 2P

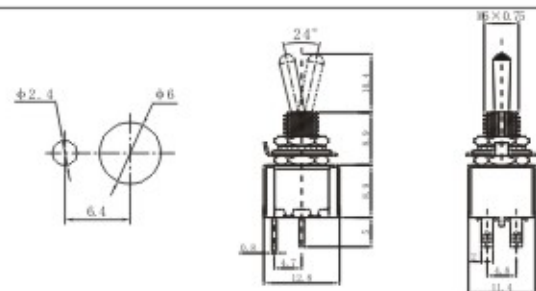


MTS-102 ON-ON
MTS-103 ON-OFF-ON
MTS-112 ON-(ON)
MTS-113 ON-OFF-(ON)
MTS-123 (ON)-OFF-(ON)
SPDT 3P

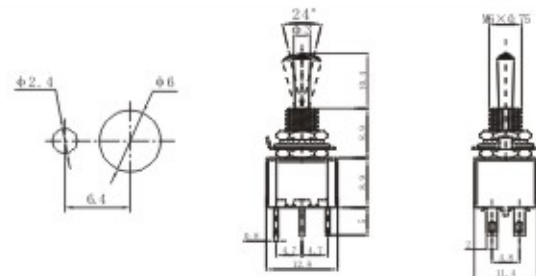




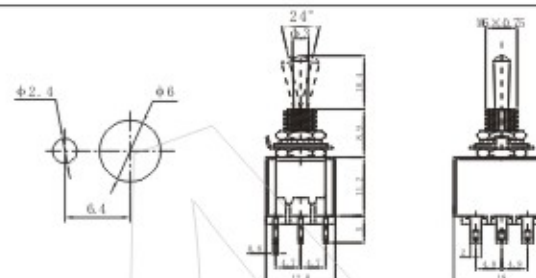
MTS-201 ON-OFF
MTS-211 OFF-(ON)
DPST 4P



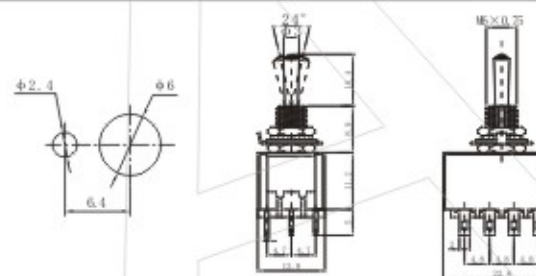
MTS-202 ON-ON
MTS-203 ON-OFF-ON
MTS-2033 ON-ON-ON
MTS-212 ON-(ON)
MTS-213 ON-OFF-(ON)
MTS-223 (ON)-OFF-(ON)
DPDT 6P



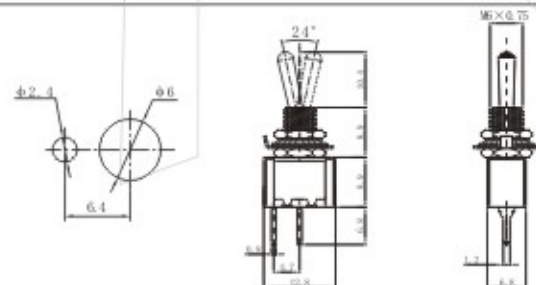
MTS-302 ON-ON
MTS-303 ON-OFF-ON
3PDT 9P



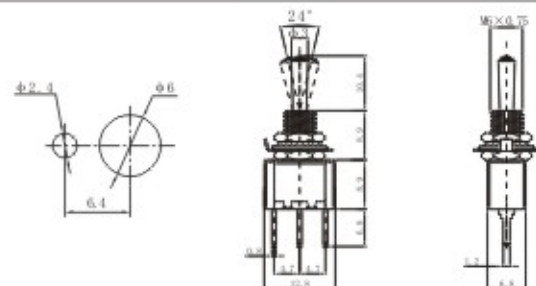
MTS-402 ON-ON
MTS-403 ON-OFF-ON
4PDT 12P



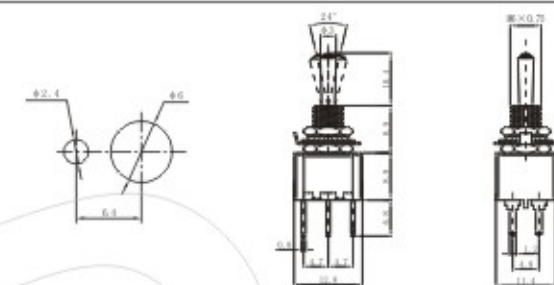
MTS-101-A2 ON-OFF
MTS-111-A2 OFF-(ON)
SPST 2P



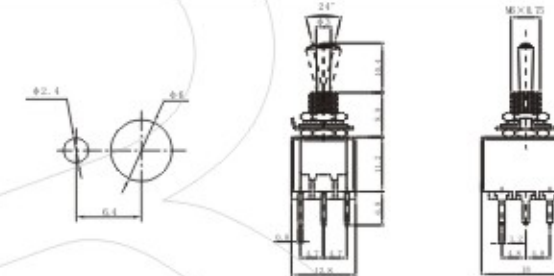
MTS-102-A2 ON-ON
MTS-103-A2 ON-OFF-ON
MTS-112-A2 ON-(ON)
MTS-113-A2 ON-OFF-(ON)
MTS-123-A2 (ON)-OFF-(ON)
SPDT 3P



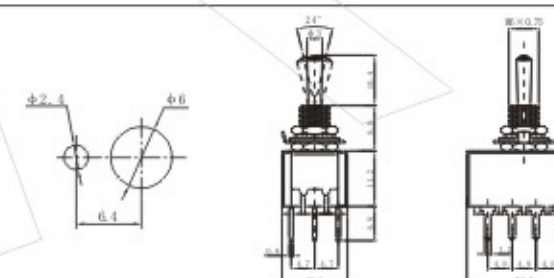
MTS-202-A2 ON-ON
MTS-203-A2 ON-OFF-ON
MTS-212-A2 ON-(ON)
MTS-213-A2 ON-OFF-(ON)
MTS-223-A2 (ON)-OFF-(ON)
DPDT 6P



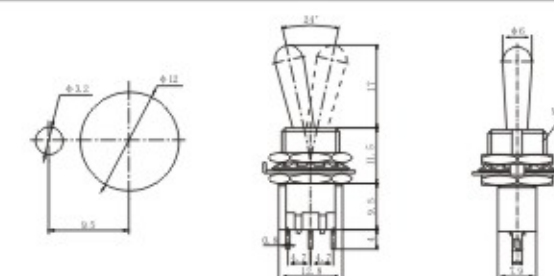
MTS-302-A2 ON-ON
MTS-303-A2 ON-OFF-ON
3PDT 9P



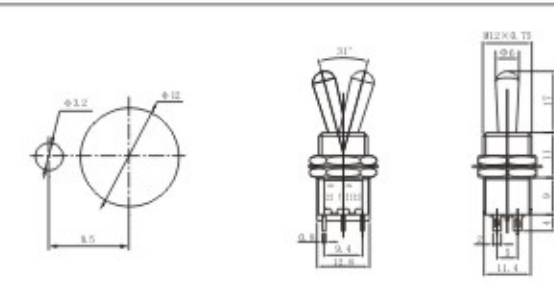
MTS-402-A2 ON-ON
MTS-403-A2 ON-OFF-ON
4PDT 12P



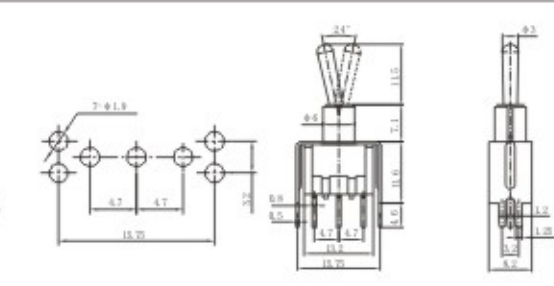
MTS-102-L1 ON-ON
MTS-103-L1 ON-OFF-ON
SPDT 3P



MTS-202-L1 ON-ON
MTS-203-L1 ON-OFF-ON
DPDT 6P

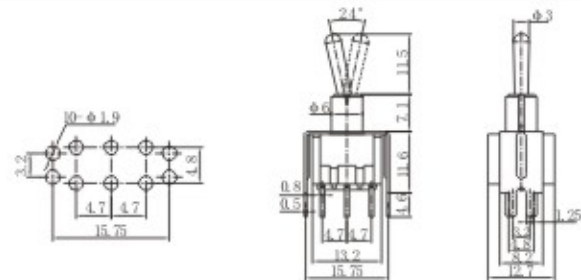


MTS-102-A2T ON-ON
MTS-112-A2T ON-(ON)
MTS-103-A2T ON-OFF-ON
MTS-113-A2T ON-OFF-(ON)
MTS-123-A2T (ON)-OFF-(ON)
SPDT 3P

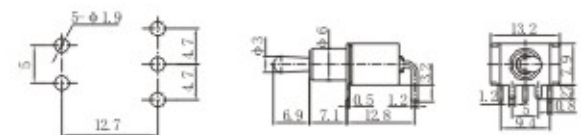




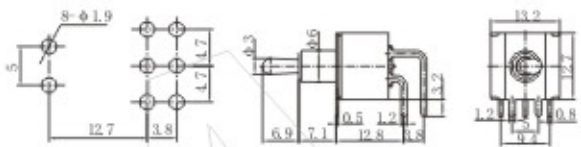
MTS-202-A2T ON-ON
 MTS-212-A2T ON-(ON)
 MTS-203-A2T ON-OFF-ON
 MTS-213-A2T ON-OFF-(ON)
 MTS-223-A2T (ON)-OFF-(ON)
 DPDT 6P



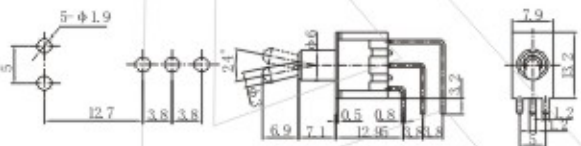
MTS-102-C3 ON-ON
 MTS-112-C3 ON-(ON)
 MTS-103-C3 ON-OFF-ON
 MTS-113-C3 ON-OFF-(ON)
 MTS-123-C3 (ON)-OFF-(ON)
 SPDT 3P



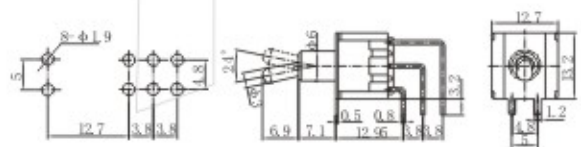
MTS-202-C3 ON-ON
 MTS-212-C3 ON-(ON)
 MTS-203-C3 ON-OFF-ON
 MTS-213-C3 ON-OFF-(ON)
 MTS-223-C3 (ON)-OFF-(ON)
 DPDT 6P



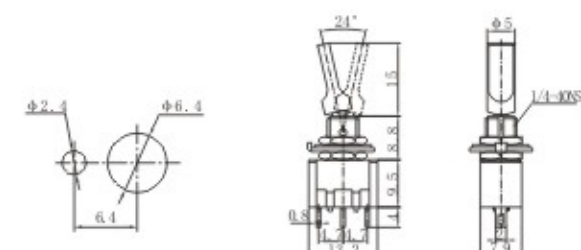
MTS-102-C4 ON-ON
 MTS-112-C4 ON-(ON)
 MTS-103-C4 ON-OFF-ON
 MTS-113-C4 ON-OFF-(ON)
 MTS-123-C4 (ON)-OFF-(ON)
 SPDT 3P



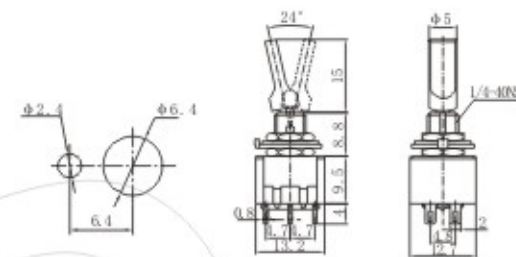
MTS-202-C4 ON-ON
 MTS-212-C4 ON-(ON)
 MTS-203-C4 ON-OFF-ON
 MTS-213-C4 ON-OFF-(ON)
 MTS-223-C4 (ON)-OFF-(ON)
 DPDT 6P



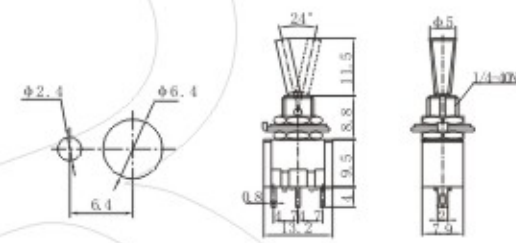
MTS-102-E1 ON-ON
 MTS-112-E1 ON-(ON)
 MTS-103-E1 ON-OFF-ON
 MTS-113-E1 ON-OFF-(ON)
 MTS-123-E1 (ON)-OFF-(ON)
 SPDT 3P
 (PLASTIC FLAT LEVER)



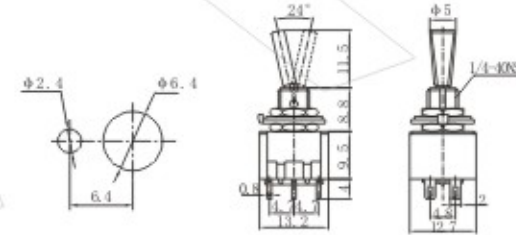
MTS-202-E1 ON-ON
 MTS-212-E1 ON-(ON)
 MTS-203-E1 ON-OFF-ON
 MTS-213-E1 ON-OFF-(ON)
 MTS-223-E1 (ON)-OFF-(ON)
 DPDT 6P
 (PLASTIC FLAT LEVER)



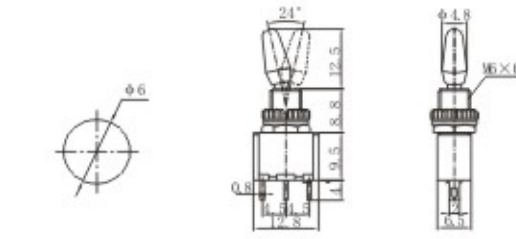
MTS-102-F1 ON-ON
 MTS-112-F1 ON-(ON)
 MTS-103-F1 ON-OFF-ON
 MTS-113-F1 ON-OFF-(ON)
 MTS-123-F1 (ON)-OFF-(ON)
 SPDT 3P
 (METAL FLAT LEVER)



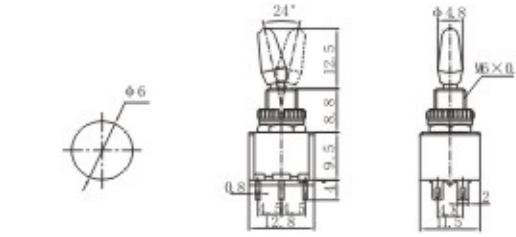
MTS-202-F1 ON-ON
 MTS-212-F1 ON-(ON)
 MTS-203-F1 ON-OFF-ON
 MTS-213-F1 ON-OFF-(ON)
 MTS-223-F1 (ON)-OFF-(ON)
 DPDT 6P
 (METAL FLAT LEVER)



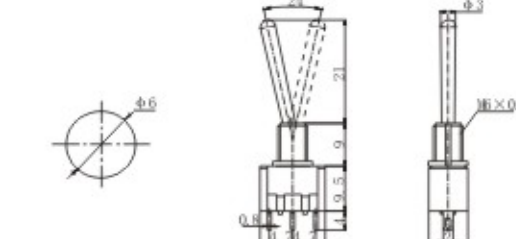
KNX-1-D1 ON-ON
 KNX-103-D1 ON-OFF-ON
 SPDT 3P



KNX-2-D1 ON-ON
 KNX-203-D1 ON-OFF-ON
 DPDT 6P



MTS-102-B1 ON-ON
 MTS-112-B1 ON-(ON)
 SPDT 3P



中型钮子开关 Medium Toggle Switch

技术特性 Specifications

- 规格 Rating: ()10A 125VAC;6A 250VAC
(A)15A 125VAC;10A 250VAC
(AA)20A 125VAC;15A 250VAC
- 接触电阻 Contact Resistance: 50mΩ max
- 绝缘电阻 Insulation Resistance: 500VDC 1000MΩ Min
- 耐电压 Dielectric Strength: 1500VAC, 1Minute
- 操作温度 Operating Temperature: -25℃~ +85℃
- 电气寿命 Electrical Life: ≥10,000 Cycles

选型说明 How to order

KN3 C - 1 02 A P E - BN
 钮子外壳类型 | 刀数 | 电路特性 | 规格 | 端子种类 | 手柄种类 | 底座颜色
 Housing shape | Poles | Switch Function | Rating | Terminal options | Handle options | Housing color

A B C D E	1 1 pole 2 2 pole 3 3 pole 4 4 pole	01 ON-OFF 02 ON-ON 11 OFF-(ON) 12 ON-(ON)(单置位) 03 ON-OFF-ON 13 ON-OFF-(ON)(单置位) 23 (ON)-OFF-(ON)(双置位)	A 10A 125VAC AA 20A 125VAC B 15A 125VAC C 10A 250VAC	() Screw Terminal (S) (P) PC Terminal (P) (R) Hitch Terminal (R)	() (D) (E) (C) (L)	BK 黑色 Black BN 棕色 Brown OG 橘黄 Orange
-----------------------	--	---	---	---	---------------------------------	--

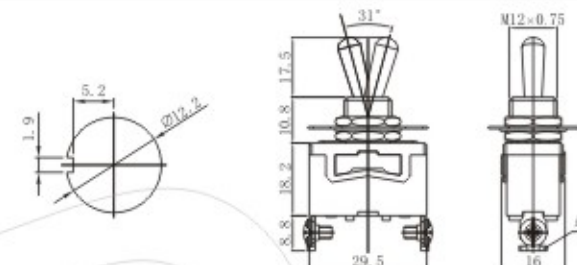
() : 回弹指示
Indicates Momentary

防水帽 Water proof cap

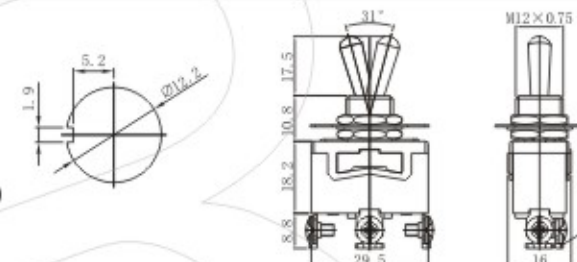
WPC-06 M12X0.75 M12X1.0		
WPC-08 M12X0.75 M12X1.0		
WPC-11 M12X0.75		
WPC-12 M12X0.75		



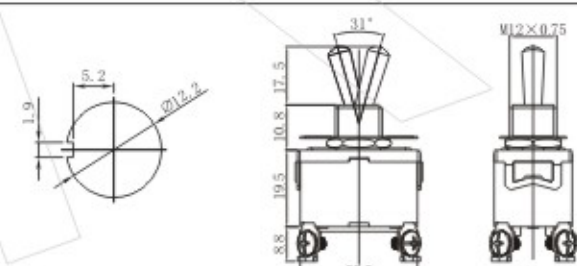
KN3C-101 ON-OFF
KN3C-111 OFF-(ON)
 SPST 2P



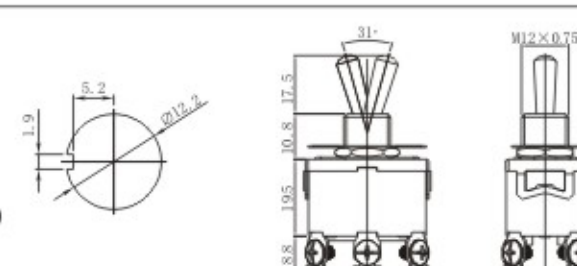
KN3C-102 ON-ON
KN3C-112 ON-(ON)
KN3C-103 ON-OFF-ON
KN3C-113 ON-OFF-(ON)
KN3C-123 (ON)-OFF-(ON)
 SPDT 3P



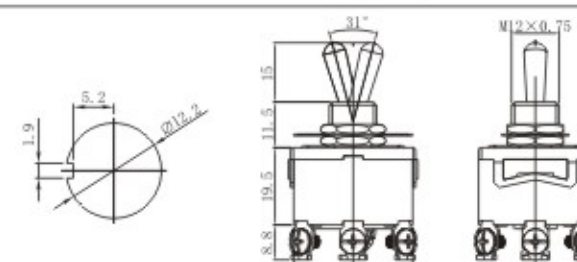
KN3C-201 ON-OFF
KN3C-211 OFF-(ON)
 DPST 4P



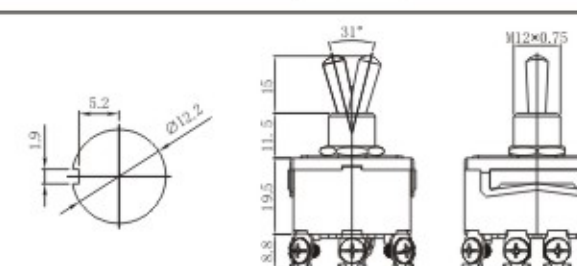
KN3C-202 ON-ON
KN3C-212 ON-(ON)
KN3C-203 ON-OFF-ON
KN3C-213 ON-OFF-(ON)
KN3C-223 (ON)-OFF-(ON)
 DPDT 6P



KN3C-302 ON-ON
KN3C-303 ON-OFF-ON
 3PDT 9P

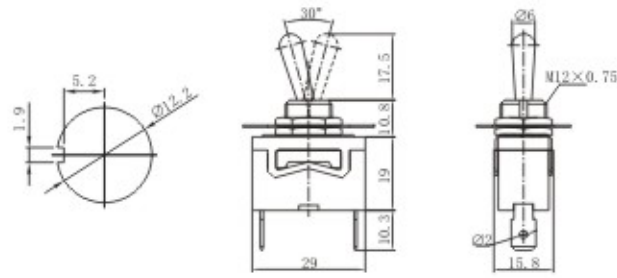


KN3C-402 ON-ON
KN3C-403 ON-OFF-ON
 4PDT 12P

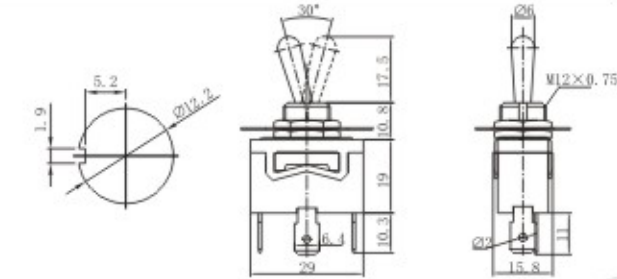




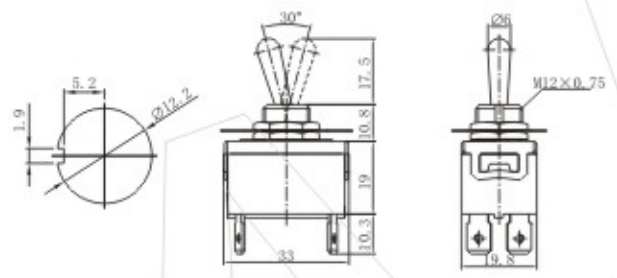
KN3C-101P ON-OFF
KN3C-111P OFF-(ON)
SPST 2P



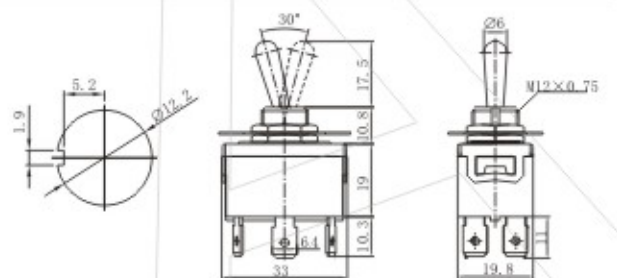
KN3C-102P ON-ON
KN3C-112P ON-(ON)
KN3C-103P ON-OFF-ON
KN3C-113P ON-OFF-(ON)
KN3C-123P (ON)-OFF-(ON)
SPDT 3P



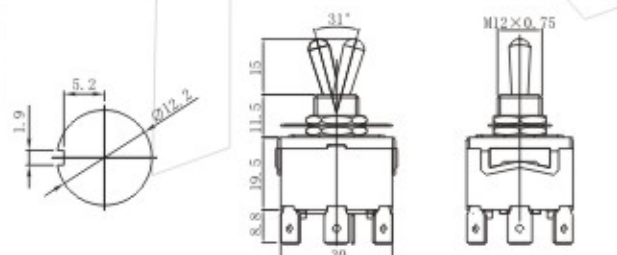
KN3C-201P ON-OFF
KN3C-211P OFF-(ON)
DPST 4P



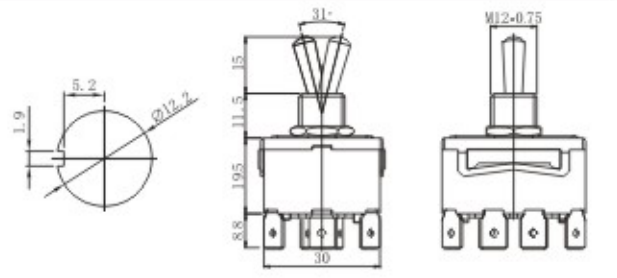
KN3C-202P ON-ON
KN3C-212P ON-(ON)
KN3C-203P ON-OFF-ON
KN3C-213P ON-OFF-(ON)
KN3C-223P (ON)-OFF-(ON)
DPDT 6P



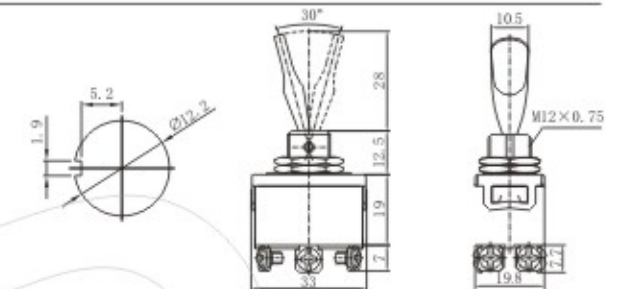
KN3C-302P ON-ON
KN3C-303P ON-OFF-ON
3PDT 9P



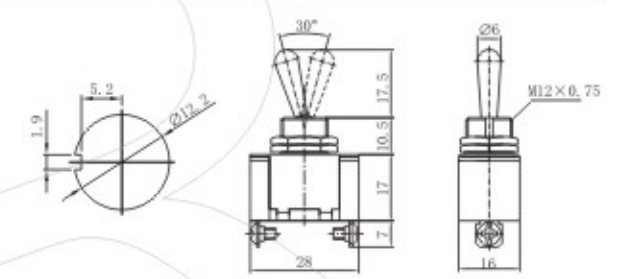
KN3C-402P ON-ON
KN3C-403P ON-OFF-ON
4PDT 12P



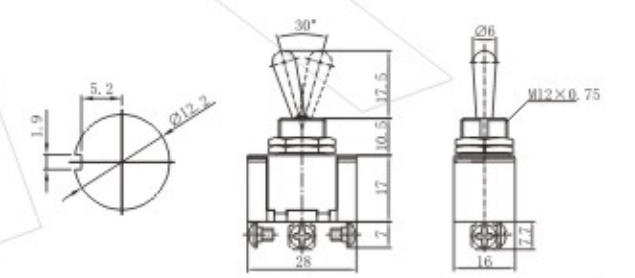
KN3C-202E ON-ON
KN3C-212E ON-(ON)
KN3C-203E ON-OFF-ON
KN3C-213E ON-OFF-(ON)
KN3C-223E (ON)-OFF-(ON)
DPDT 6P



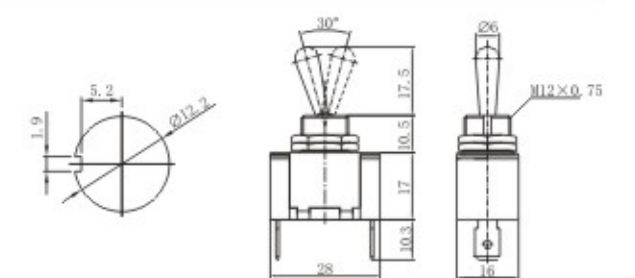
KN3A-101 ON-OFF
SPST 2P



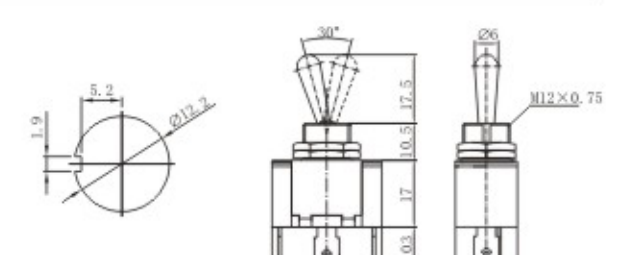
KN3A-102 ON-ON
KN3A-112 ON-(ON)
KN3A-103 ON-OFF-ON
KN3A-113 ON-OFF-(ON)
KN3A-123 (ON)-OFF-(ON)
SPDT 3P



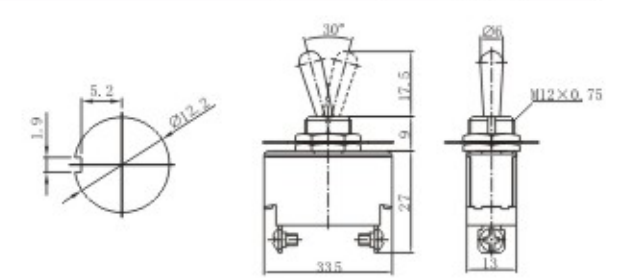
KN3A-101P ON-OFF
SPST 2P



KN3A-102P ON-ON
KN3A-112P ON-(ON)
KN3A-103P ON-OFF-ON
KN3A-113P ON-OFF-(ON)
KN3A-123P (ON)-OFF-(ON)
SPDT 3P

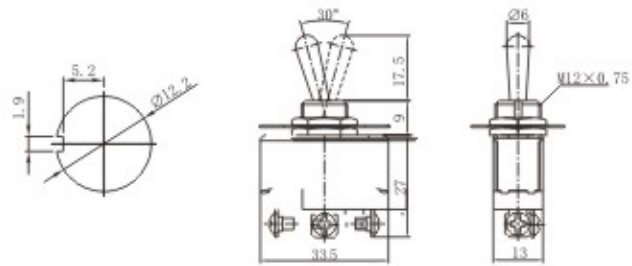


KN3B-101 ON-OFF
SPST 2P

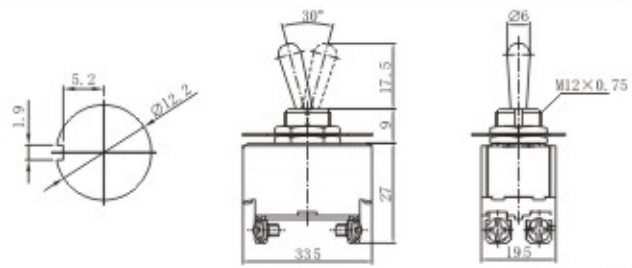




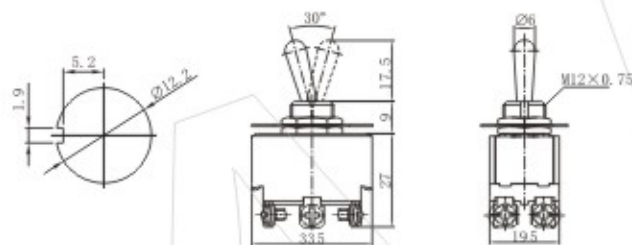
KN3B-102 ON-ON
KN3B-112 ON-(ON)
KN3B-103 ON-OFF-ON
KN3B-113 ON-OFF-(ON)
KN3B-123 (ON)-OFF-(ON)
 SPDT 3P



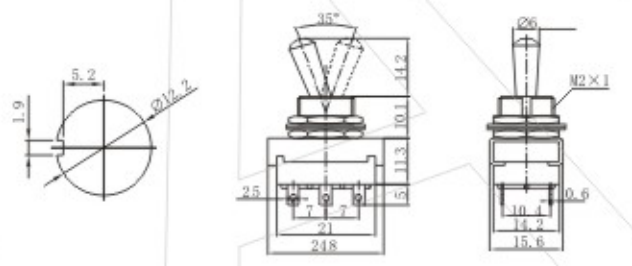
KN3B-201 ON-OFF
 DPST 4P



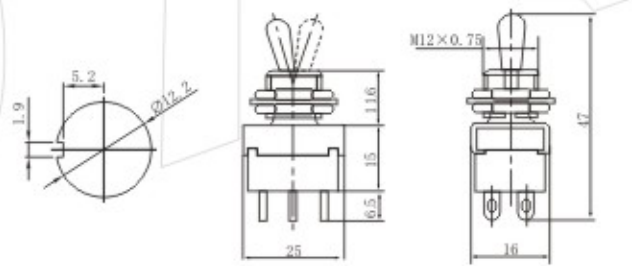
KN3B-202 ON-ON
KN3B-212 ON-(ON)
KN3B-203 ON-OFF-ON
KN3B-213 ON-OFF-(ON)
KN3B-223 (ON)-OFF-(ON)
 DPDT 6P



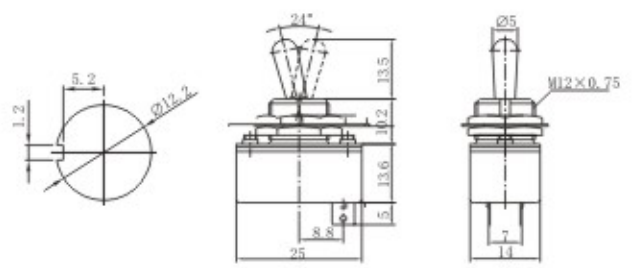
KN-32 ON-ON
 DPDT 6P
 10A 125VAC; 5A 250VAC



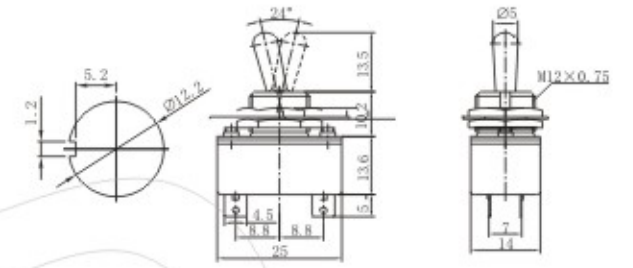
KN3-3A ON-ON
 DPDT 6P
 6A 125VAC; 3A 250VAC



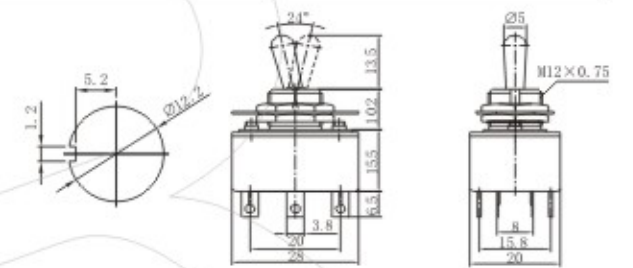
KN3-1 ON-OFF
 SPST 2P
 4A 125VAC; 2A 250VAC



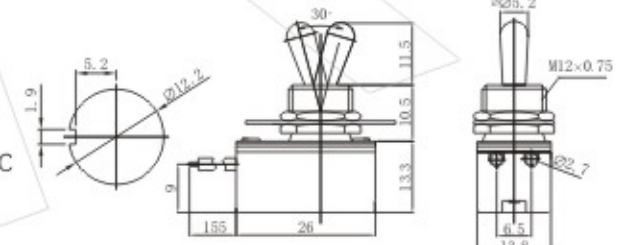
KN3-2 ON-ON
 SPDT 4P
 4A 125VAC; 2A 250VAC



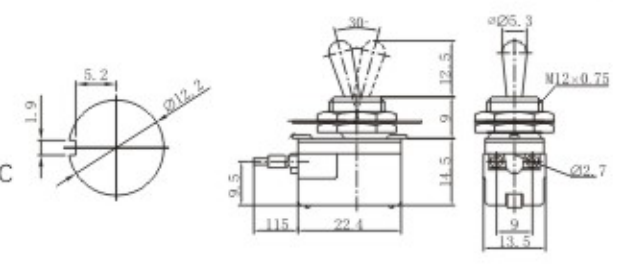
KN3-3 ON-ON
 DPDT 6P
 5A 125VAC; 3A 250VAC



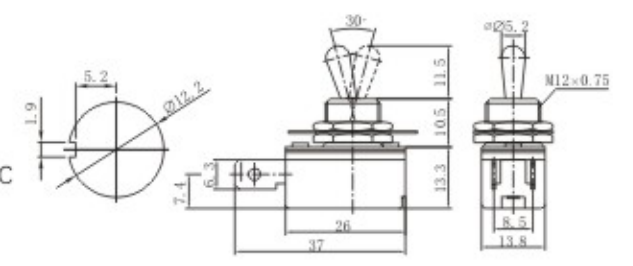
KNS-1 ON-OFF
 SPST 2P
 6A 125VAC; 3A 250VAC; 10A 12VDC



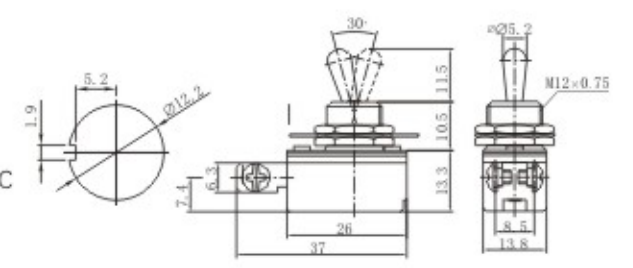
KNS-2 ON-OFF
 SPST 2P
 6A 125VAC; 3A 250VAC; 10A 12VDC

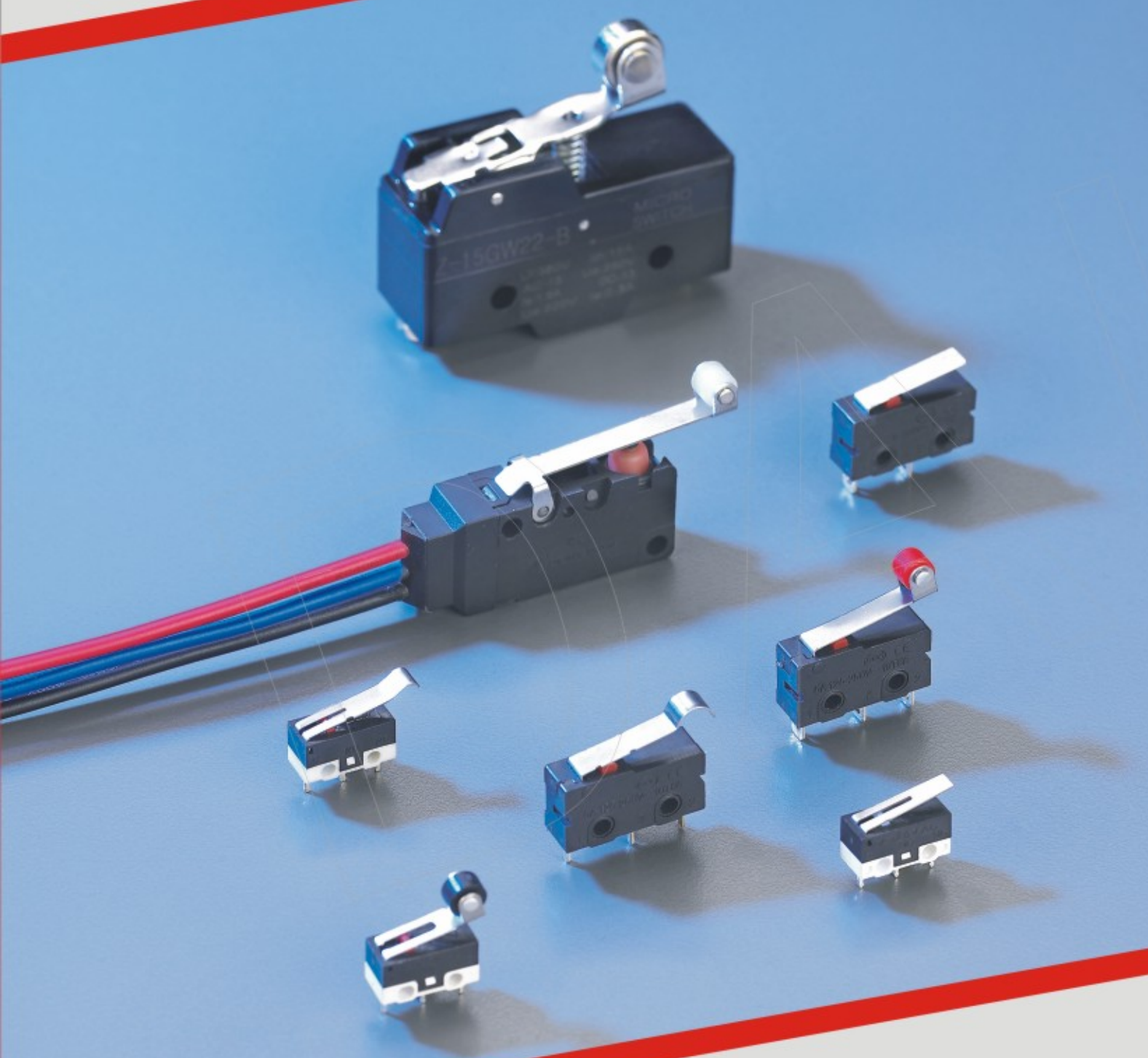


KNH-1 ON-OFF
 SPST 2P
 6A 125VAC; 3A 250VAC; 10A 12VDC



KNH-1S ON-OFF
 SPST 2P(screw terminals)
 6A 125VAC; 3A 250VAC; 10A 12VDC



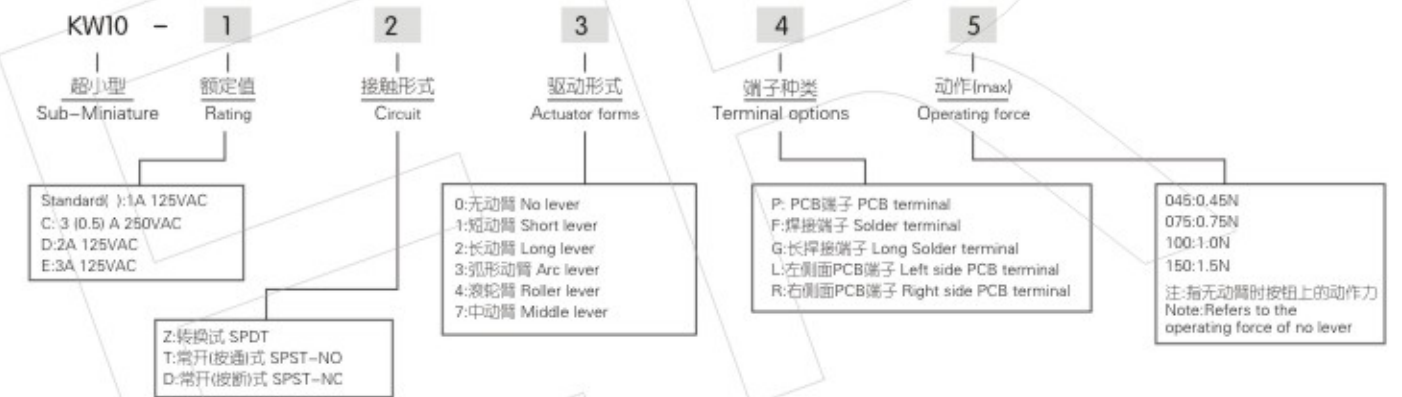


超小型微动开关 Sub-Miniature Micro Switch

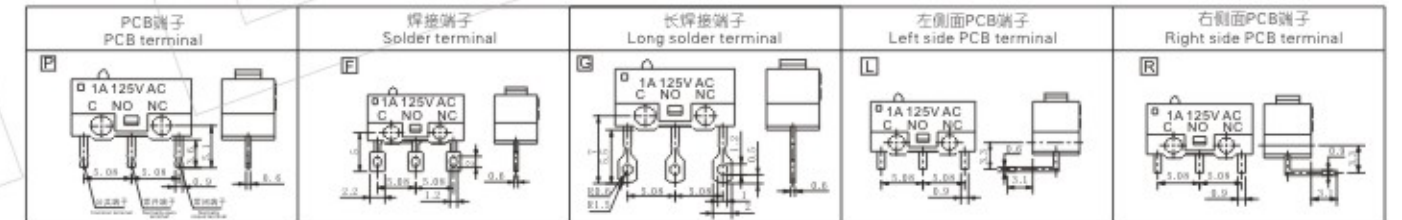
技术特性 Specifications

1. 规格 Rating: 1A~3A 125/250VAC
2. 接触电阻 Contact Resistance: $\leq 50m\Omega$
3. 绝缘电阻 Insulation Resistance: $\geq 100M\Omega (500VDC)$
4. 耐电压 Dielectric strength: 600VAC 1Minute
5. 操作温度 Operating Temperature: $-25^{\circ}C \sim +75^{\circ}C$
6. 环境湿度 Ambient Humidity Used: $<85\%RH$
6. 电气寿命 Electrical Life: $\geq 10,000$ Cycles
7. 机械寿命 Mechanical Life: $\geq 100,000$ Cycles

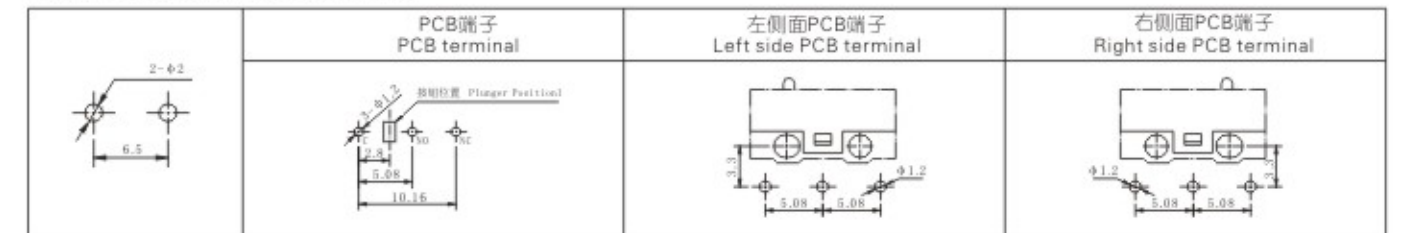
选型说明 How to order



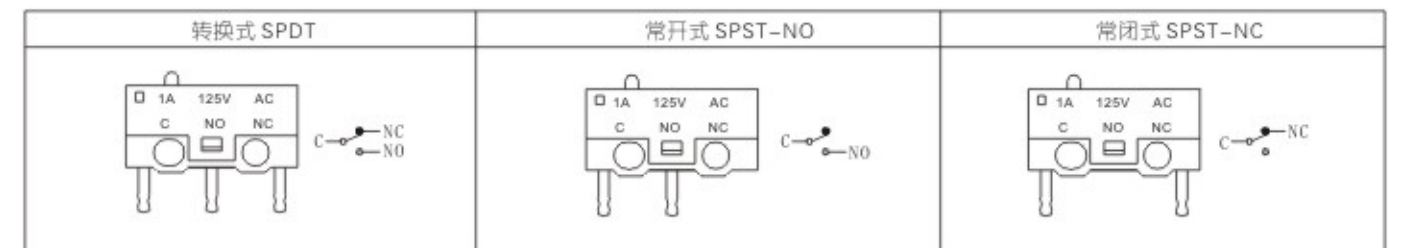
端子尺寸 Terminal dimensions



安装孔尺寸 Mounting hole dimensions



接触形式说明书 Circuit illustration



外形尺寸 Dimension

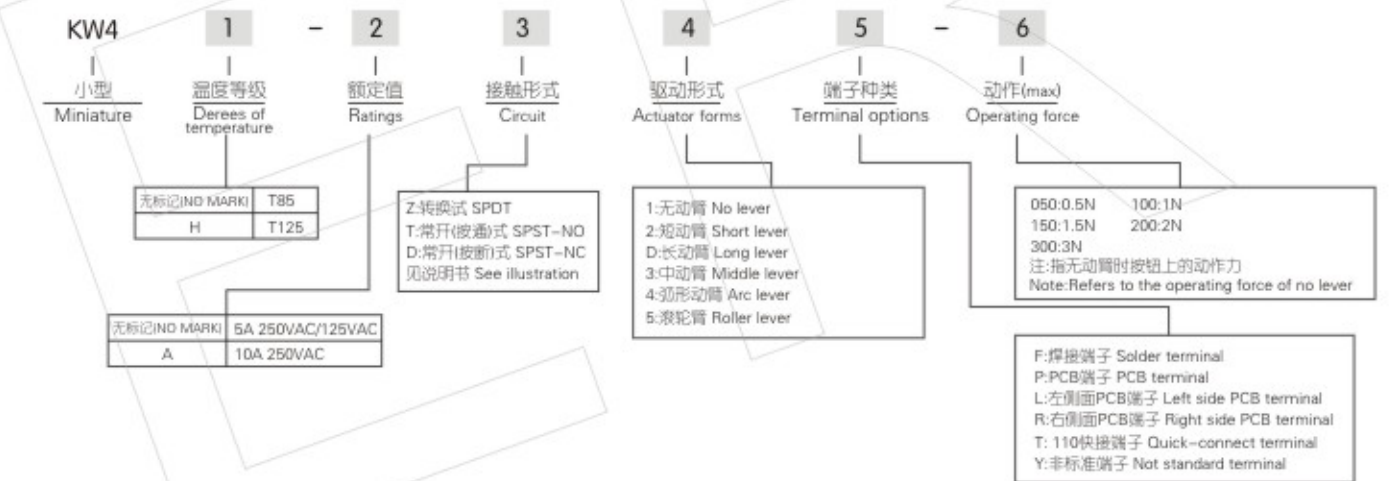
	<p>KW10-Z0P075 1A 125VAC KW10-CZ0P075 3A 250VAC KW10-DZ0P075 2A 125VAC KW10-EZ0P075 3A 125VAC</p>	
	<p>KW10-Z1P075 1A 125VAC KW10-CZ1P075 3A 250VAC KW10-DZ1P075 2A 125VAC KW10-EZ1P075 3A 125VAC</p>	
	<p>KW10-Z2P075 1A 125VAC KW10-CZ2P075 3A 250VAC KW10-DZ2P075 2A 125VAC KW10-EZ2P075 3A 125VAC</p>	
	<p>KW10-Z3P075 1A 125VAC KW10-CZ3P075 3A 250VAC KW10-DZ3P075 2A 125VAC KW10-EZ3P075 3A 125VAC</p>	
	<p>KW10-Z4P075 1A 125VAC KW10-CZ4P075 3A 250VAC KW10-DZ4P075 2A 125VAC KW10-EZ4P075 3A 125VAC</p>	
	<p>KW10-Z7P075 1A 125VAC KW10-CZ7P075 3A 250VAC KW10-DZ7P075 2A 125VAC KW10-EZ7P075 3A 125VAC</p>	

小型微动开关 Miniature Micro Switch

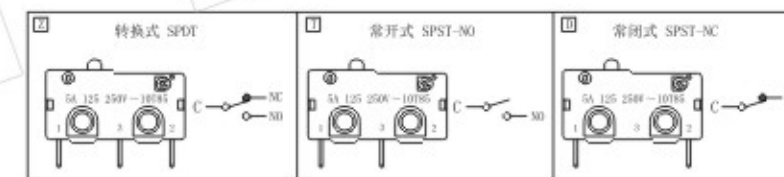
技术特性 Specifications

1. 规格 Rating: 5A~10A 125/250VAC
2. 接触电阻 Contact Resistance: $\leq 50m\Omega$
3. 绝缘电阻 Insulation Resistance: $\geq 100M\Omega$ (500VDC)
4. 耐电压 Dielectric strength: 1000VAC 1Minute
5. 操作温度 Operating Temperature: $-25^{\circ}C \sim +85^{\circ}C$
6. 环境湿度 Ambient Humidity Used: $< 85\%RH$
6. 电气寿命 Electrical Life: $\geq 10,000$ Cycles
7. 机械寿命 Mechanical Life: $\geq 100,000$ Cycles

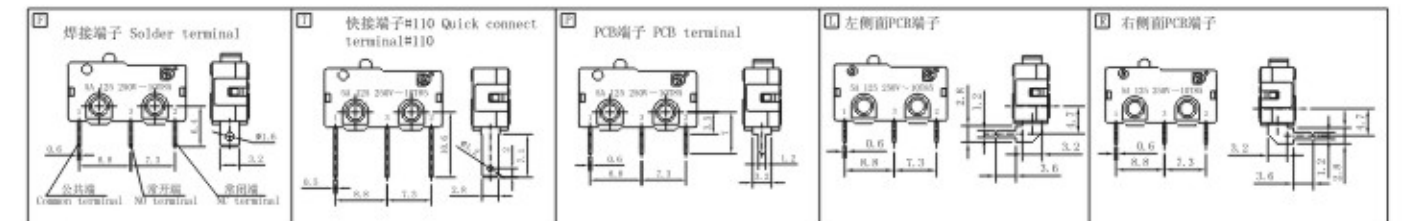
选型说明 How to order



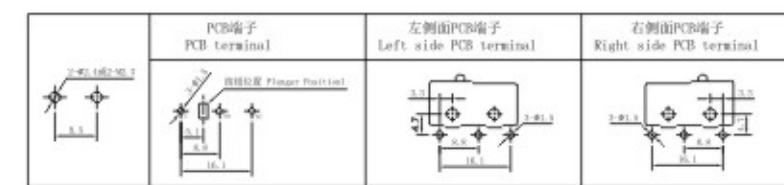
接触形式说明书 Circuit illustration



接线端子尺寸 Terminal dimensions



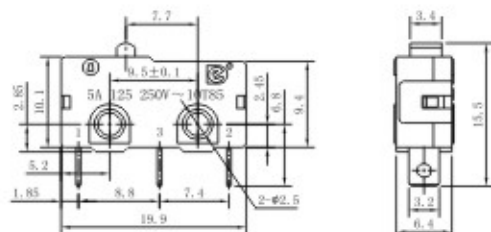
安装孔尺寸 Mounting hole dimensions



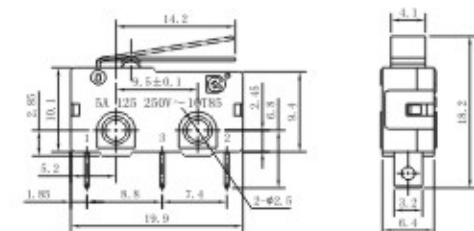
外形尺寸 Dimension



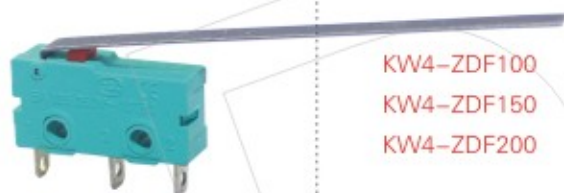
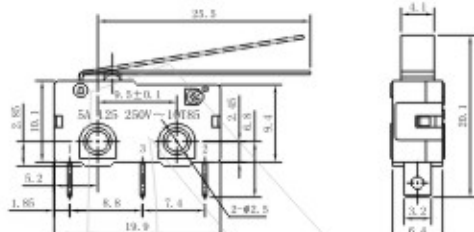
KW4-Z1F100
KW4-Z1F150
KW4-Z1F200



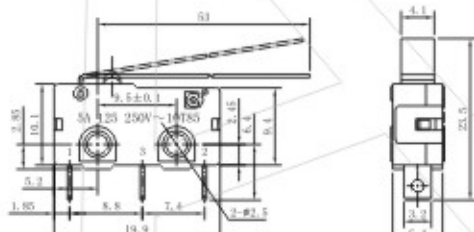
KW4-Z2F100
KW4-Z2F150
KW4-Z2F200



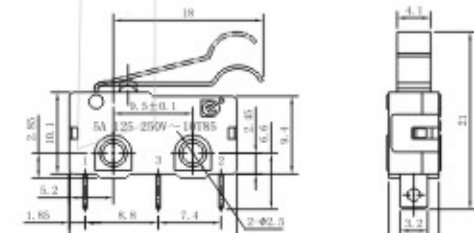
KW4-Z3F100
KW4-Z3F150
KW4-Z3F200



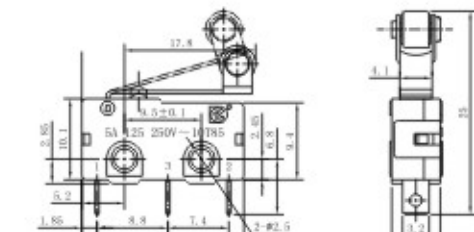
KW4-ZDF100
KW4-ZDF150
KW4-ZDF200



KW4-Z4F100
KW4-Z4F150
KW4-Z4F200



KW4-Z5F100
KW4-Z5F150
KW4-Z5F200



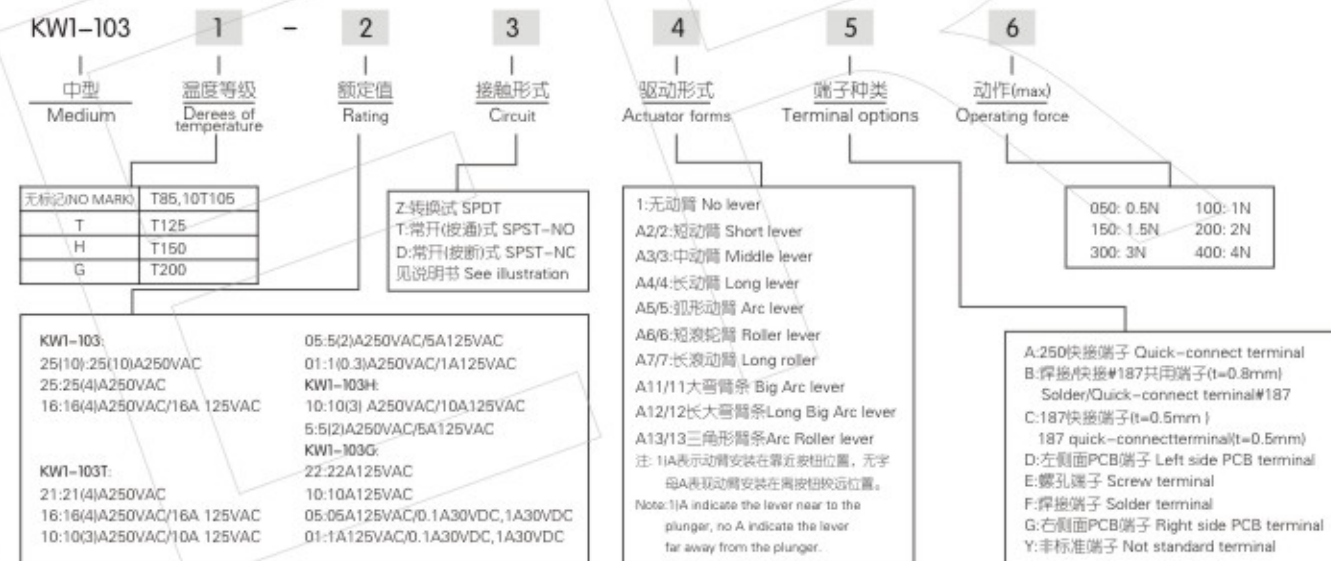
中型微动开关系列 Medium Micro Switch

技术特性 Specifications

1. 规格 Rating: 16A 250VAC/20A 125VAC
2. 接触电阻 Contact Resistance: $\leq 30m\Omega$
3. 绝缘电阻 Insulation Resistance: $\geq 100M\Omega$ (500VDC)
4. 耐电压 Dielectric strength: 1500VAC 1Minute
5. 操作温度 Operating Temperature: $-25^{\circ}C \sim +85^{\circ}C$
6. 环境湿度 Ambient Humidity Used: $< 85\%RH$
6. 电气寿命 Electrical Life: $\geq 10,000$ Cycles
7. 机械寿命 Mechanical Life: $\geq 100,000$ Cycles

注:指无动臂时按钮上的动作力 Note:Refers to the operating force of no lever

选型说明 How to order



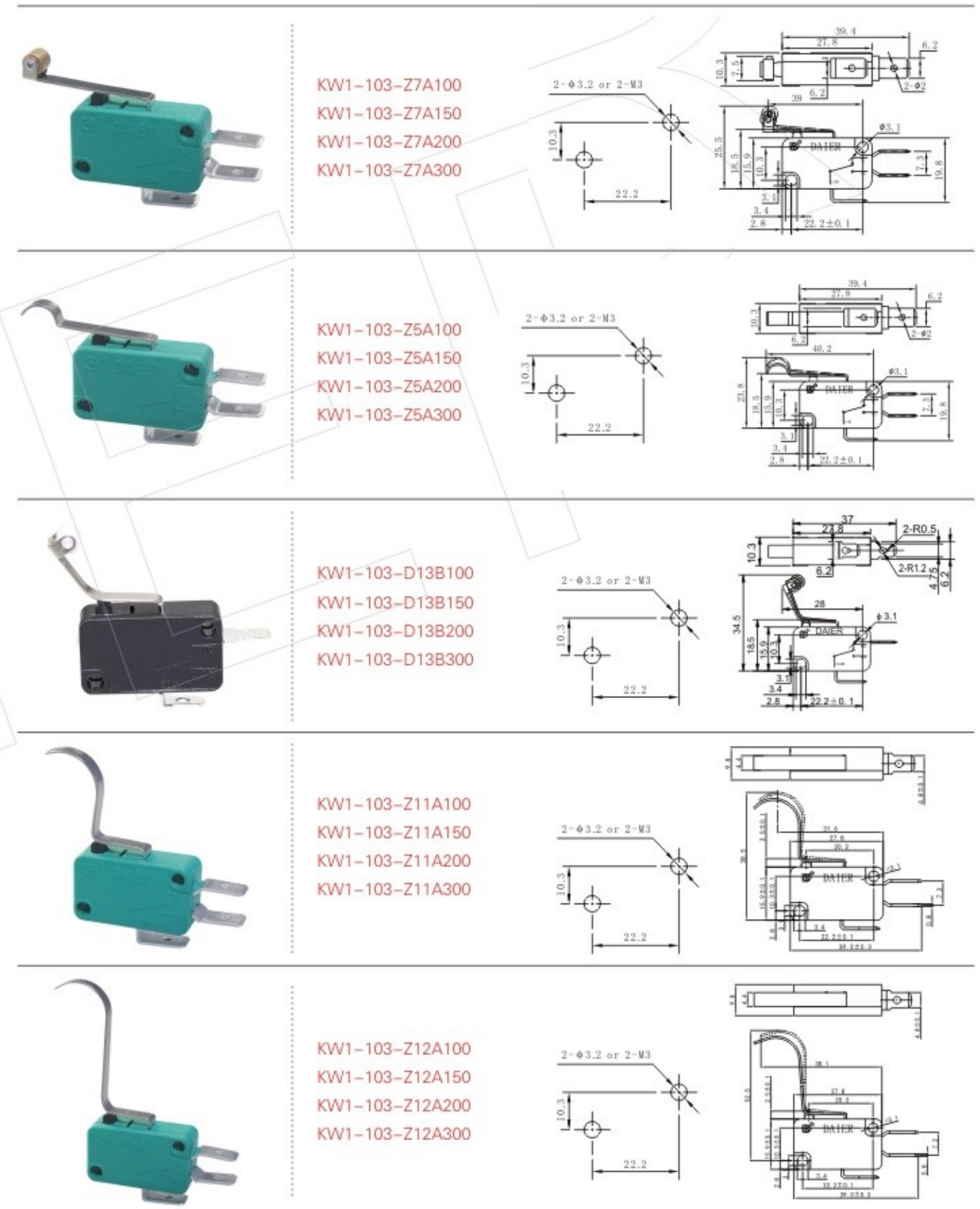
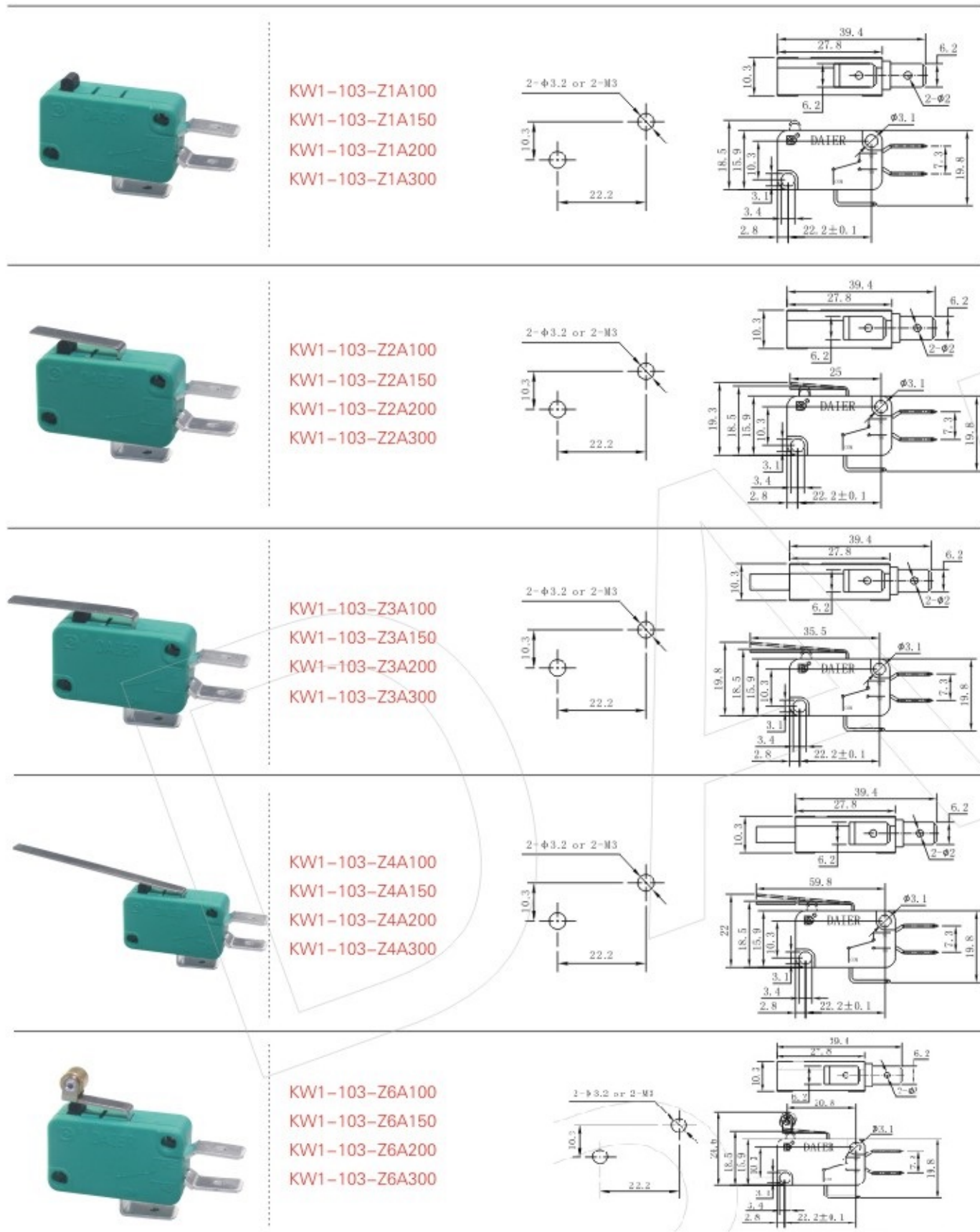
接触形式说明书 Circuit illustration

公共端子类型 Common terminal types	转换式 SPDT	常闭式 SPST-NC	常开式 SPST-NO	公共端子类型 Common terminal types	转换式 SPDT	常闭式 SPST-NC	常开式 SPST-NO
公共端在底部 Bottom common terminal				公共端在侧面 Side common terminal			

接线端子尺寸 Terminal dimensions

快接端子#250(t=0.8mm) Quick-connect terminal#250	焊插/快接#187共用端子(t=0.8mm) Solder/Quick-connect terminal#187	快接端子#187(t=0.5mm) Quick-connect terminal#187	左侧面PCB端子 Left side PCB terminal	螺孔端子 Screw terminal	焊插端子 Solder terminal	右侧面PCB端子 Right side PCB terminal

外形尺寸 Dimension



		
KW1-103-Z2B-D	WK1-1 6A 125V; 3A 250VAC	G303-A3 0.1A 250VAC; 3A 12VDC IP67
		
KW1-103-Q Air Pressure Switch	KW-1037 16~26A 250VAC	G303-A13 0.1A 250VAC; 3A 12VDC IP67
		
BVM3 ON-(OFF) 10A 250VAC; 15A 125VAC	KW-1038 16~26A 250VAC	WS1-Z3-F150 5A 250VAC IP67
		
HS-1 有声型	KW-1039 16~26A 250VAC	WS1-Z6-W150R200 5A 250VAC IP67
		
KW4-OZ 6A 125VAC; 3A 250VAC	WS3-Z3-F150 2A 250VAC; 3A 30VDC IP67	WS2-Z6F200 10A 125/250VAC IP67
		
WK3-1 6A 125VAC; 3A 250VAC	G1105 5A 250VAC IP67	WS2-Z4W200 10A 125/250VAC IP67

		
Z-15G-B	Z-15HW24-B	D4MC-1000
		
Z-15GD-B	Z-15HW78-B	D4MC-1020
		
Z-15GW21-B	Z-15GW2277-B	D4MC-2000
		
Z-15GW-B	Z-15GQ-B	D4MC-2020
		
Z-15GW22-B	Z-15GQ22-B	D4MC-5000
		
Z-15GW2-B	Z-15GQ21-B	D4MC-5020



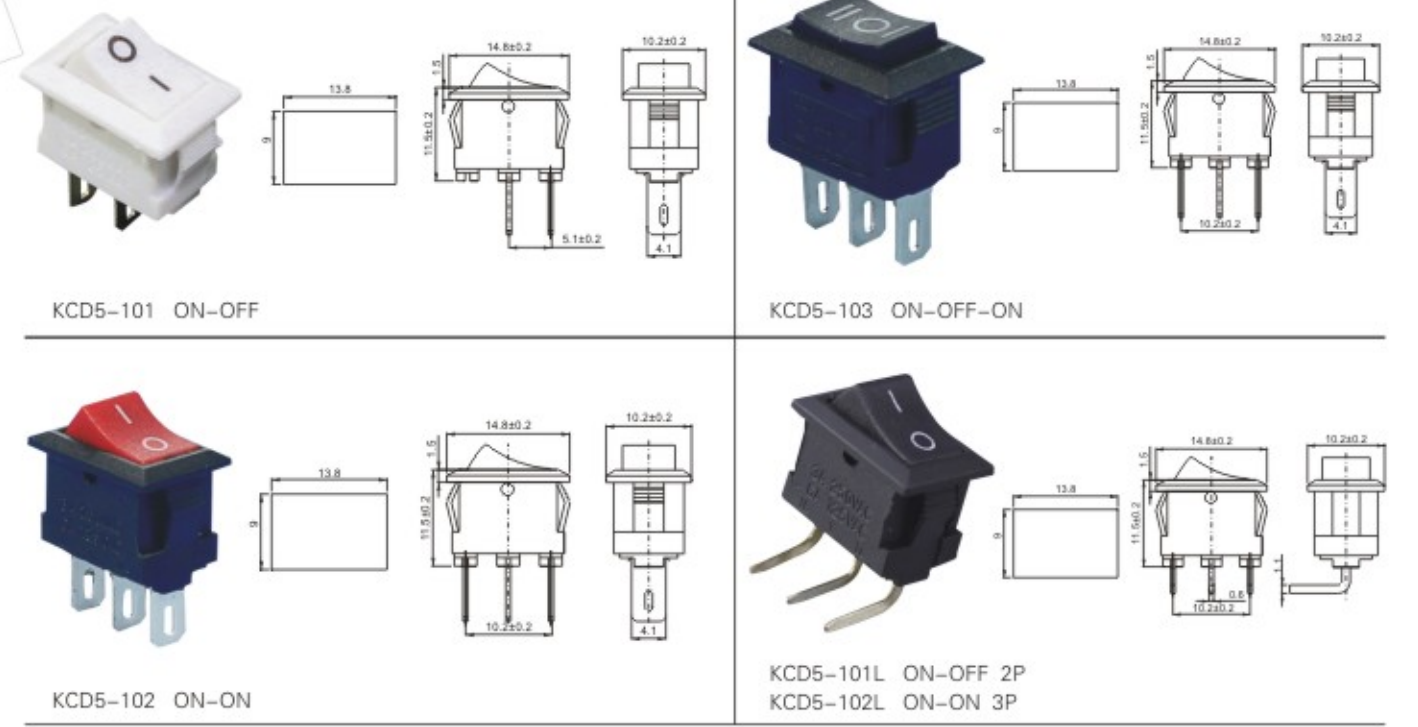
KCD5 Series Rocker Switch













技术特性 Specification

1. 规格 Rating: 6A 125VAC; 3A 250VAC
2. 接触电阻 Contact Resistance: 35mΩ max
3. 绝缘电阻 Insulation Resistance: 500VDC 100MΩ min
4. 耐电压 Dielectric Strength: 1500VAC, 1 Minute
5. 操作温度 Operating Temperature: -25°C ~ +85°C
6. 电气寿命 Electrical Life: ≥ 10,000 Cycles

型号说明 Model Information

KCD	5	-	2	-	1	01	N	L	-	C3	-	R	B	-	220V
特征	序号	单刀	功能	灯	端子类型	标记	按钮颜色	外壳颜色	灯电压						
Features	Series	1 Pole	Function	Lamp	Terminals	Marking	Actuator Color	Housing Color	Lamp Volt						
1 Miniature			01 ON-OFF	No mark No Lamp	No mark Straight	C1	B 黑色Black	B 黑色Black	3V						
2 Medium 1 pole			02 ON-ON	N With Lamp	L Right Angle	C2	W 白色White	W 白色White	6V						
3 Medium 1 pole			03 ON-OFF-ON		T Through hole	C3	R 红色Red	R 红色Red	12V						
5 Sub-Miniature			11 ON-OFF(带灯)			C4	G 绿色Green	G 绿色Green	24V						
			12 ON-ON(带灯)			C5	Y 黄色Yellow	Y 黄色Yellow	48V						
			13 ON-OFF-ON(带灯)			C6	BL 蓝色Blue	BL 蓝色Blue	110V						
			23 ON-OFF-ON(带灯)			C7	O 橙色Orange	O 橙色Orange	220V						
						C8	GR 灰色Gray	GR 灰色Gray							
						C9	C 咖啡色Coffee	C 咖啡色Coffee							
						C10									
						CX	其他规格								



 <p>WPC-1510</p>	 <p>KCD5-303-1 SPST KCD5-303-2 DPST</p>
 <p>KCD5-2-101 ON-OFF</p>	 <p>KCD5-304</p>
 <p>KCD5-2-102 ON-ON</p>	 <p>BS.304</p>
 <p>KCD5-2-101N ON-OFF</p>	 <p>KCD5-305</p>
 <p>WPC-16</p>	 <p>KCD5-322</p>
 <p>KCD5-3-101 ON-OFF</p>	 <p>KCD5-307</p>

KCD1 Series Rocker Switch





技术特性 Specification

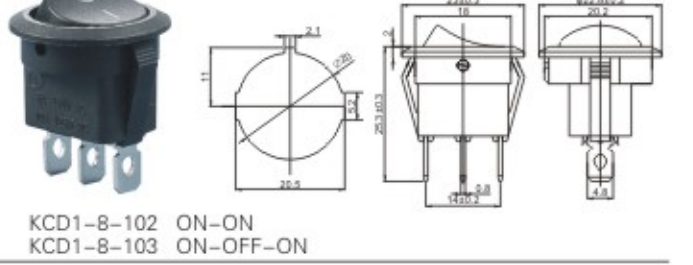
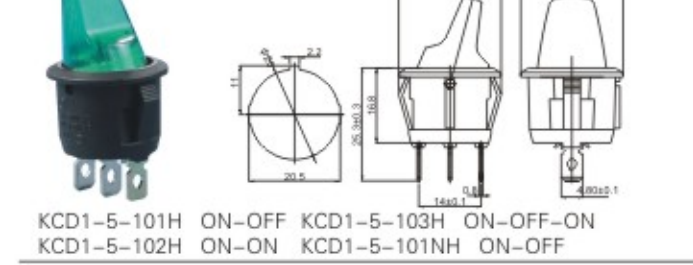
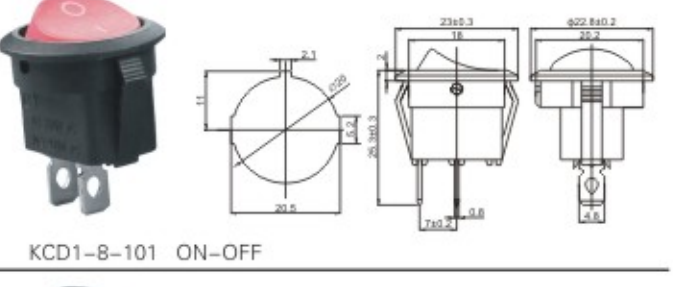
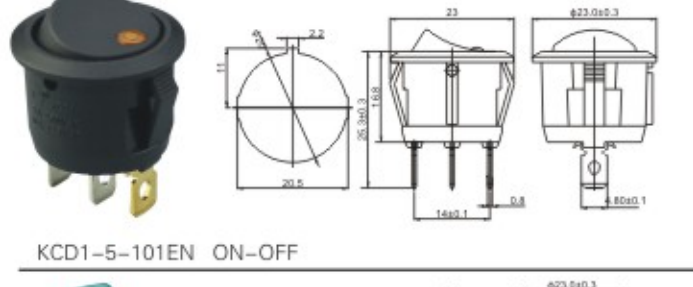
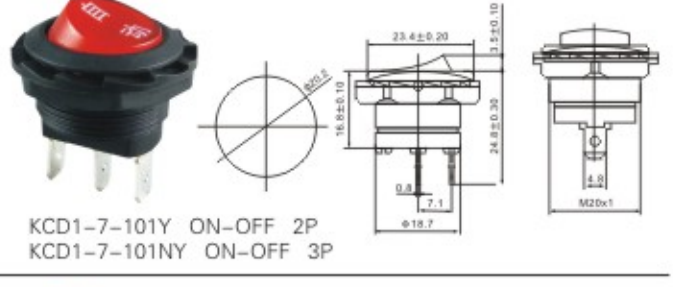
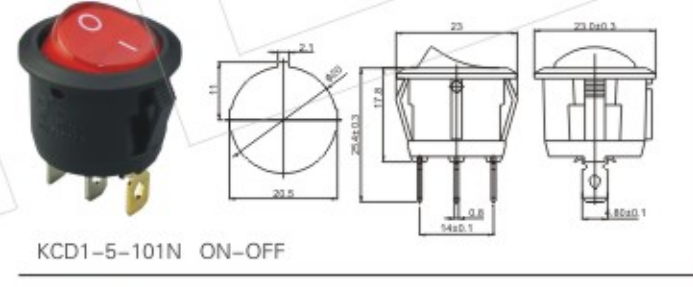
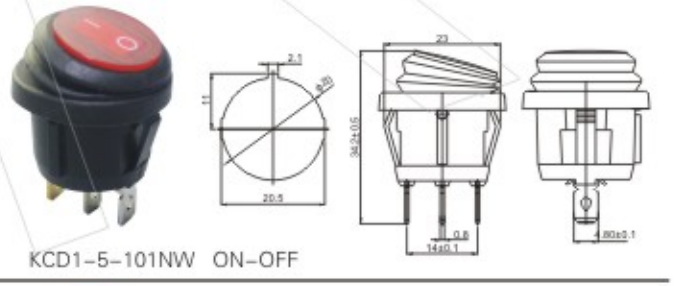
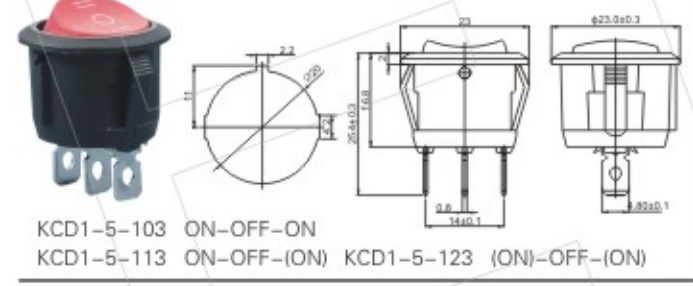
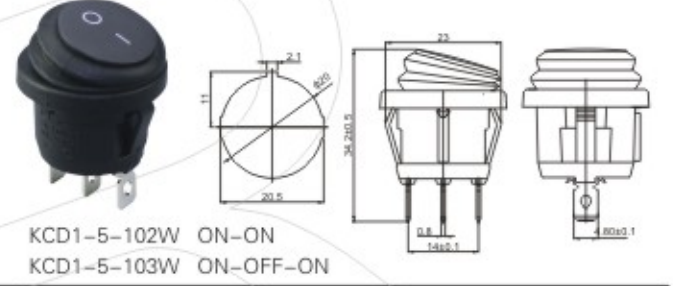
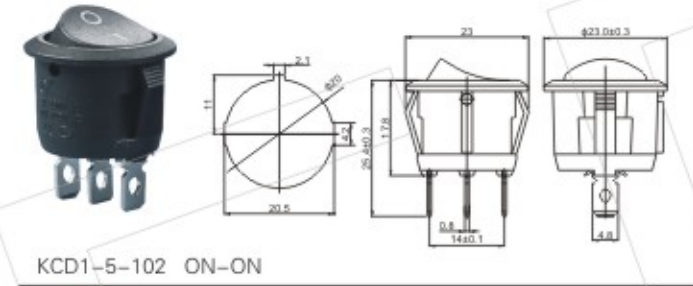
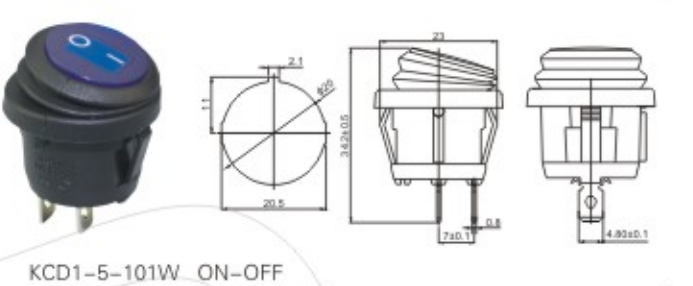
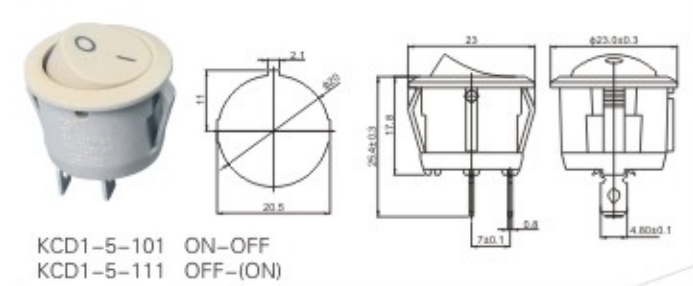
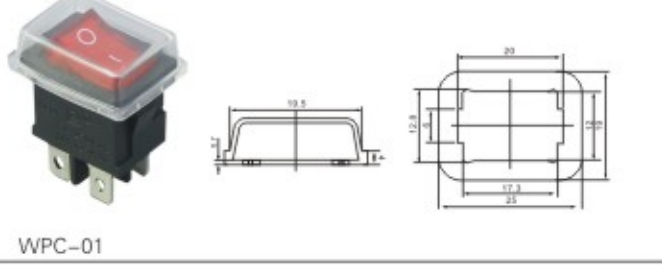
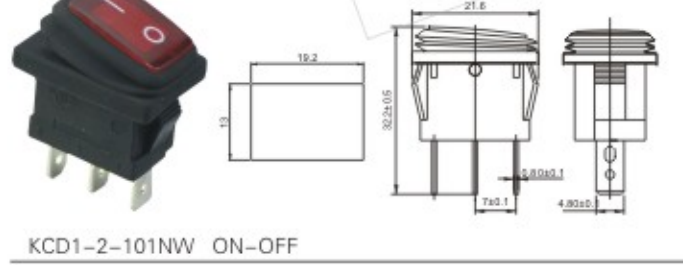
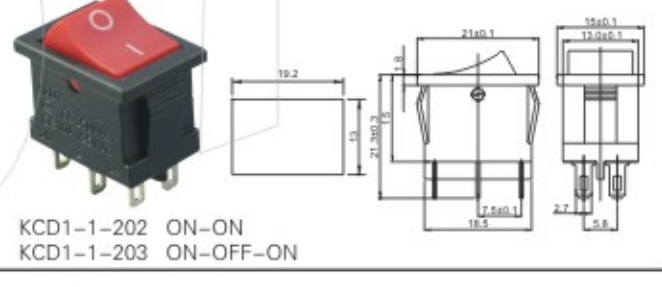
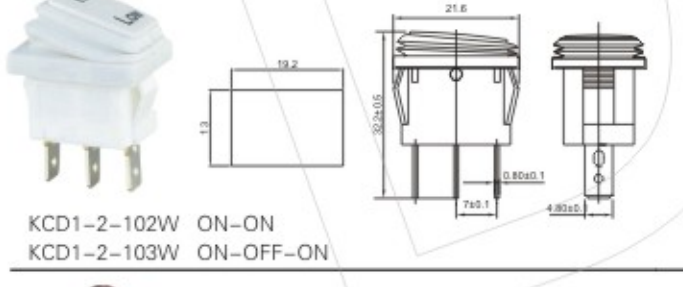
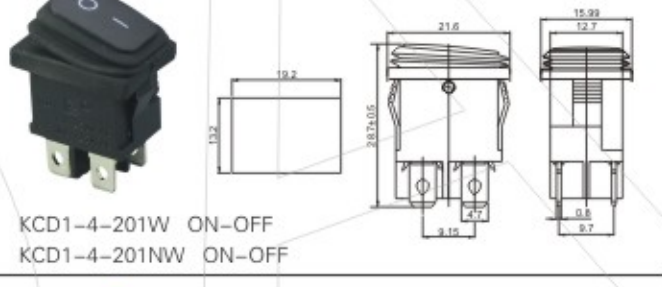
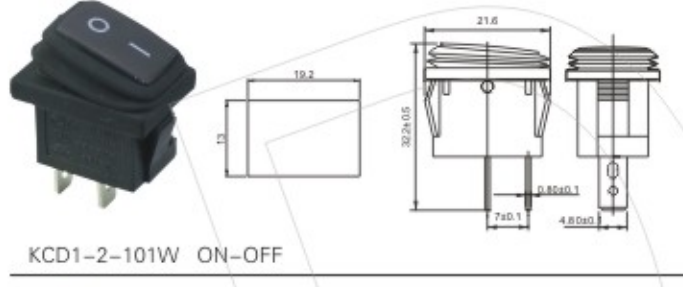
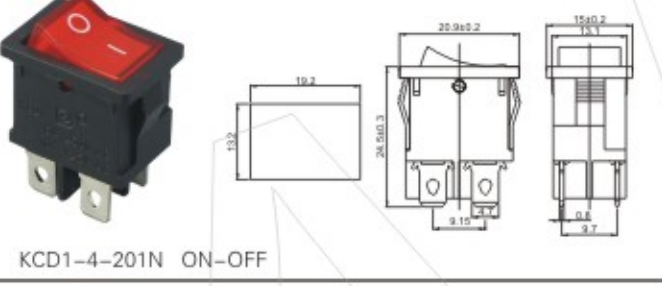
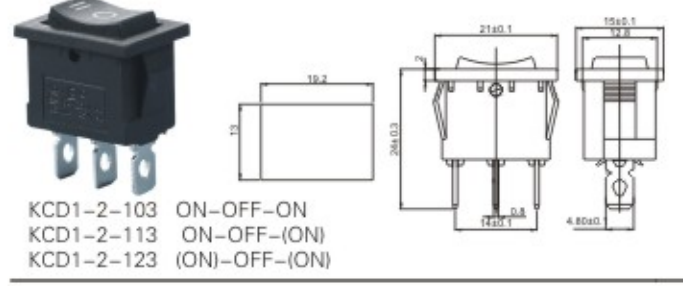
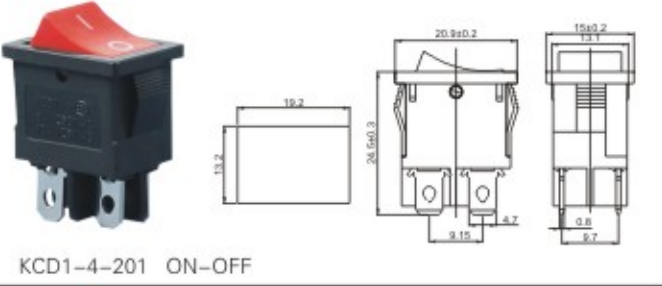
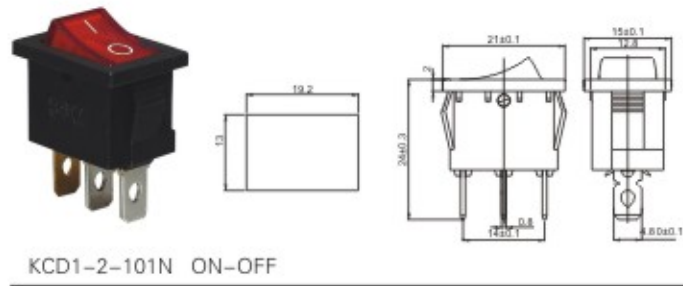
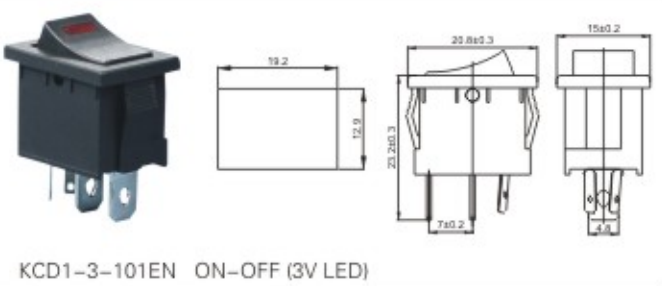
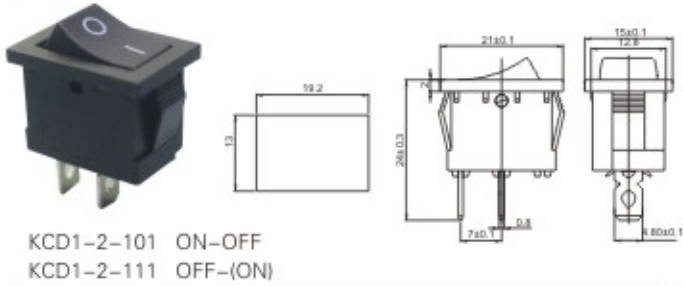
- 规格 Rating: 10A 125VAC; 6A 250VAC
- 接触电阻 Contact Resistance: 35mΩ max
- 绝缘电阻 Insulation Resistance: 500VDC 100MΩ min
- 耐电压 Dielectric Strength: 1500VAC, 1 Minute
- 操作温度 Operating Temperature: -25°C ~ +85°C
- 电气寿命 Electrical Life: ≥ 10,000 Cycles

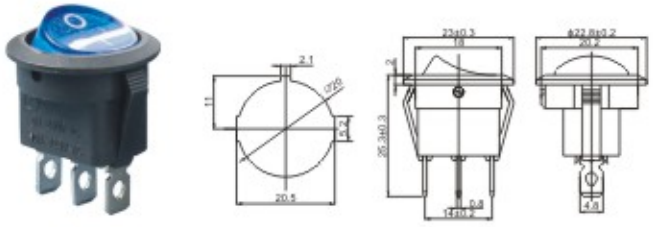

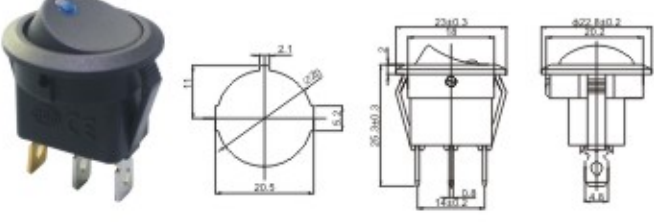
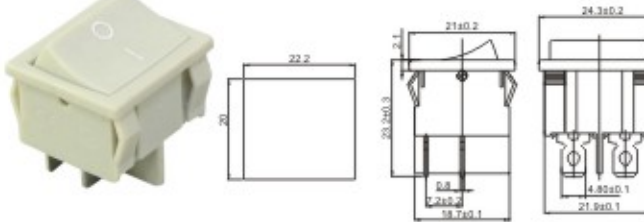
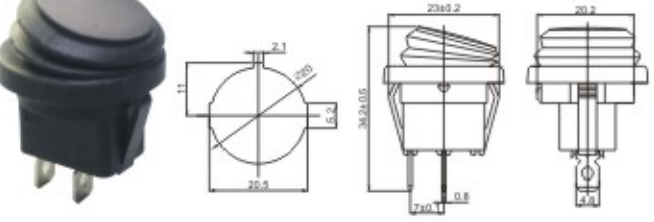
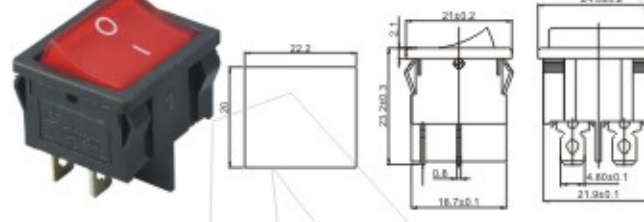
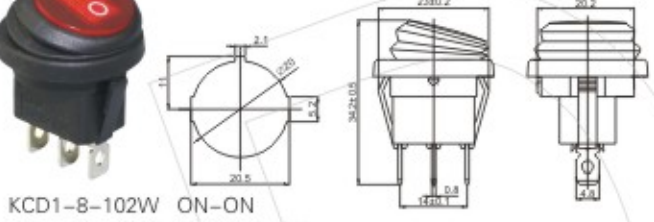
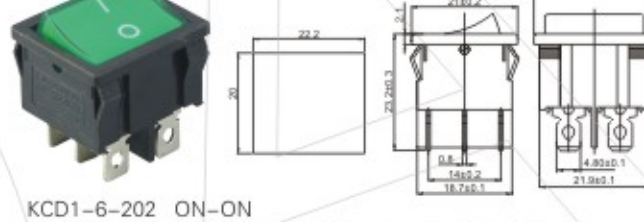
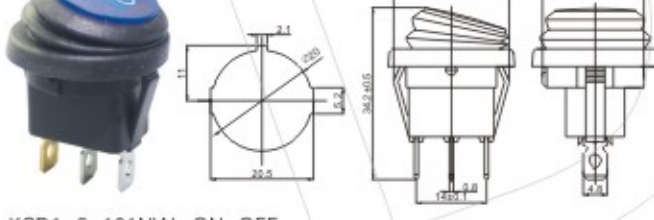
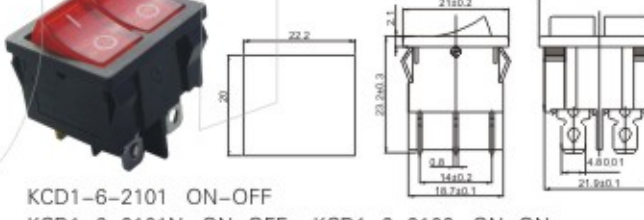
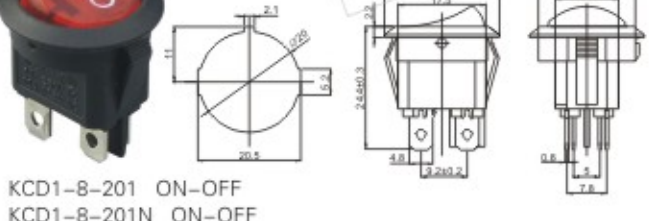

型号说明 Model Information

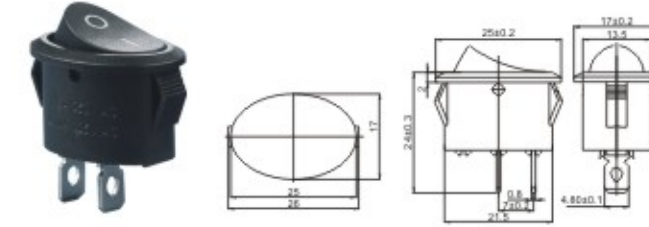
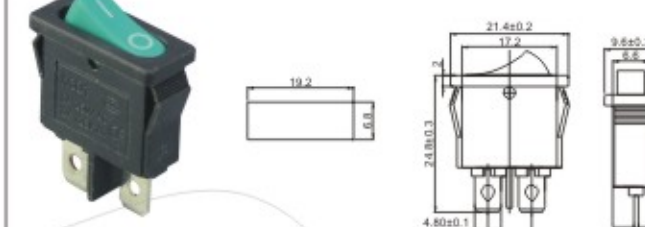
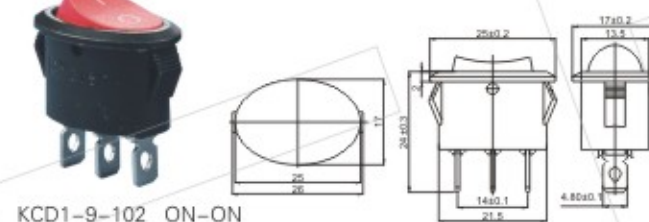

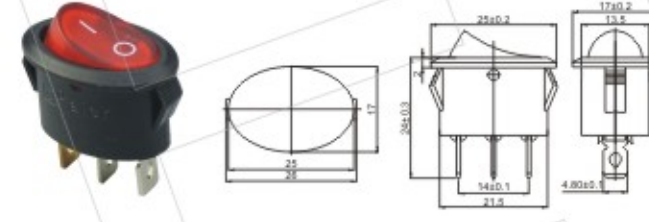
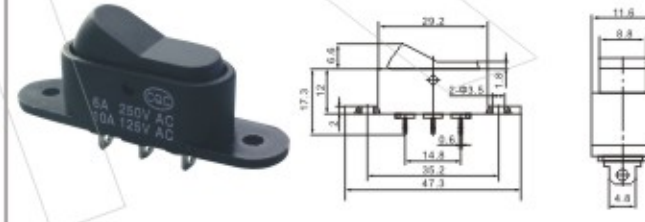

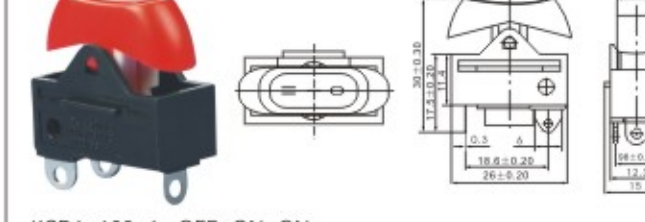
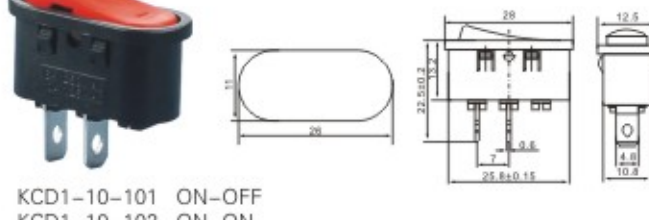
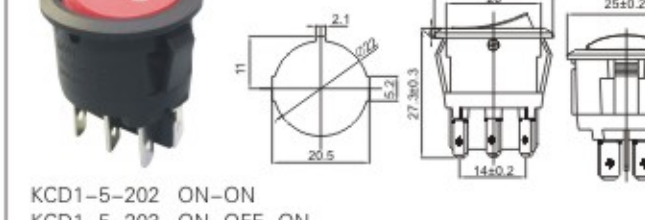
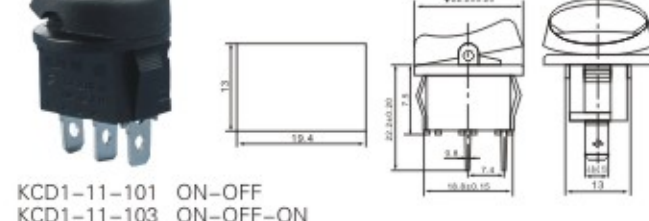
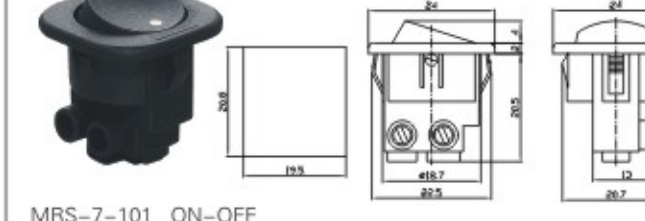
KCD 1 - 2 - 1 01 N W L - C3 - R B - 220V

特征 Features	序号 Series	刀数 Poles	功能 Function	带灯状态 Lamp	按钮类型 Actuator	端子类型 Terminals	标记 Marking	按钮颜色 Actuator Color	外壳颜色 Housing Color	灯电压 Lamp Volt
1 Miniature	1	1 pole 1 button	01 ON-OFF	No Mark	No lamp	No Mark	C1	B 黑色 Black	B 黑色 Black	3V
2 Medium 1 pole	2	2 pole 1 button	02 ON-ON	N	Lens Illuminated	D Short	C2	W 白色 White	W 白色 White	6V
3 Medium 1 pole	2	2 pole 1 button	03 ON-OFF-ON	EN	Dot Illuminated	L Right Angle	C3	R 红色 Red	R 红色 Red	12V
5 Sub-Miniature	21	2 pole 2 button	11 ON-OFF(带灯)	No Mark	C shape	S Screw	C4	G 绿色 Green	G 绿色 Green	24V
	3	3 pole 1 button	12 ON-ON(带灯)		Waterproof	T Through hole	C5	Y 黄色 Yellow	Y 黄色 Yellow	48V
	31	3 pole 3 button	13 ON-OFF-ON(带灯)		High Actuator		C6	B 蓝色 Blue	B 蓝色 Blue	110V
			23 ON-OFF-ON(带灯)		V shape		C7	O 橙色 Orange	O 橙色 Orange	220V
							C8	GR 灰色 Gray	GR 灰色 Gray	
							C9	C 咖啡色 Coffee	C 咖啡色 Coffee	
							C10			
							CX			

 <p>KCD1-101 ON-OFF</p>	 <p>KCD1-1-101 ON-OFF</p>
 <p>KCD1-102 ON-ON</p>	 <p>KCD1-1-102 ON-ON</p>



 <p>KCD1-8-101N ON-OFF</p>	 <p>WPC-02</p>
 <p>KCD1-8-101EN ON-OFF</p>	 <p>KCD1-6-201 ON-OFF</p>
 <p>KCD1-8-101W ON-OFF</p>	 <p>KCD1-6-201N ON-OFF</p>
 <p>KCD1-8-102W ON-ON KCD1-8-103W ON-OFF-ON</p>	 <p>KCD1-6-202 ON-ON KCD1-6-202N ON-ON KCD1-6-203 ON-OFF-ON</p>
 <p>KCD1-8-101NW ON-OFF</p>	 <p>KCD1-6-2101 ON-OFF KCD1-6-2101N ON-OFF KCD1-6-2102 ON-ON</p>
 <p>KCD1-8-201 ON-OFF KCD1-8-201N ON-OFF</p>	 <p>WPC-15</p>

 <p>KCD1-9-101 ON-OFF</p>	 <p>KCD1-12-101 ON-OFF</p>
 <p>KCD1-9-102 ON-ON KCD1-9-103 ON-OFF-ON</p>	 <p>WPC-14</p>
 <p>KCD1-9-101N ON-OFF</p>	 <p>KCD1-13-102 ON-ON</p>
 <p>WPC-13</p>	 <p>KCD1-122-1 OFF-ON-ON</p>
 <p>KCD1-10-101 ON-OFF KCD1-10-102 ON-ON</p>	 <p>KCD1-5-202 ON-ON KCD1-5-203 ON-OFF-ON</p>
 <p>KCD1-11-101 ON-OFF KCD1-11-103 ON-OFF-ON</p>	 <p>MRS-7-101 ON-OFF</p>

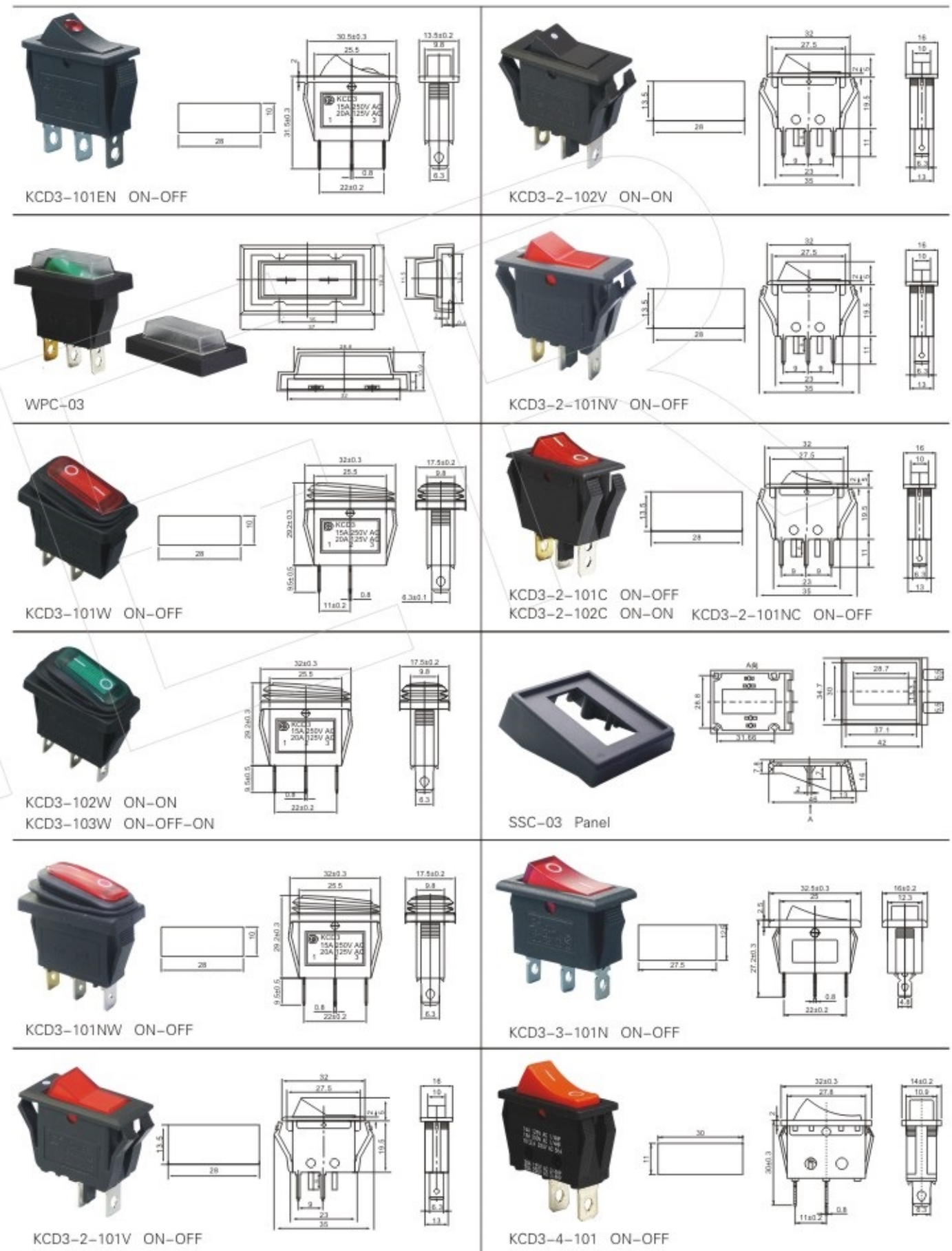
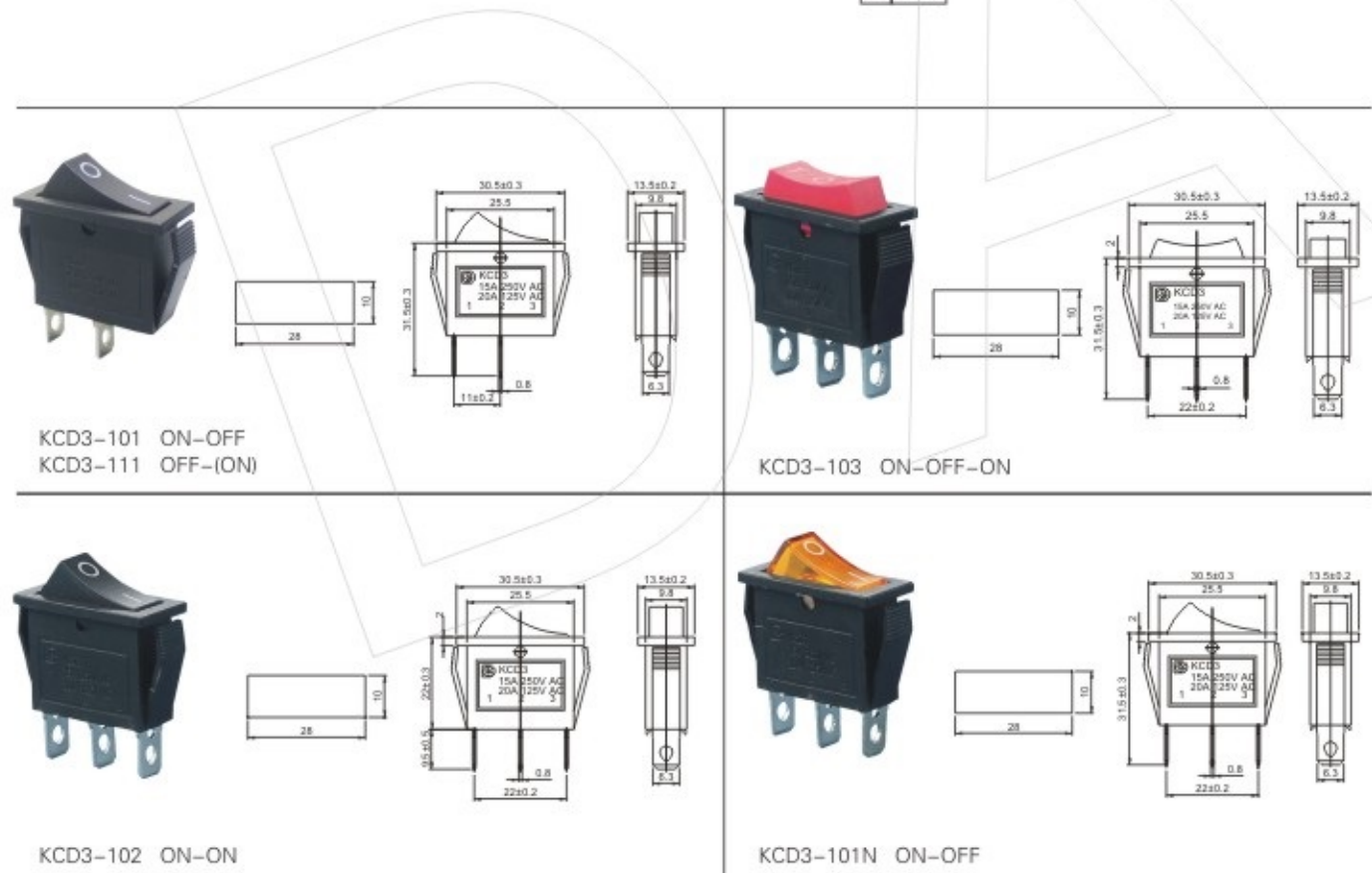
KCD3 Series Rocker Switch

技术特性 Specification

- 规格 Rating: 20A 125VAC; 15A 250VAC
- 接触电阻 Contact Resistance: 35mΩ max
- 绝缘电阻 Insulation Resistance: 500VDC 100MΩ min
- 耐电压 Dielectric Strength: 1500VAC, 1 Minute
- 操作温度 Operating Temperature: -25°C ~ +85°C
- 电气寿命 Electrical Life: ≥10,000 Cycles

型号说明 Model Information

KCD	3	-	2	-	1	01	N	W	L	-	C3	-	R	B	-	220V
特征	序号	刀数	功能	带灯状态	按钮类型	端子类型	标记	按钮颜色	外壳颜色	灯电压						
Features	Series	Poles	Function	Lamp	Actuator	Terminals	Marking	Actuator Color	Housing Color	Lamp Volt						
1 Miniature	1 1 pole 1 button	01 ON-OFF	No Mark	No lamp	No Mark	Straight	C1	B 黑色 Black	B 黑色 Black	3V						
2 Medium 2 poles	2 2 pole 1 button	02 ON-ON	N	Lens Illuminated	D	Short	C2	W 白色 White	W 白色 White	6V						
3 Medium 1 pole	2 2 pole 2 button	03 ON-OFF-ON	EN	Dot Illuminated	L	Right Angle	C3	R 红色 Red	R 红色 Red	12V						
5 Sub-Miniature	11 (ON-OFF) (单按钮)	11 (ON-OFF) (单按钮)	No Mark	C shape	S	Screw	C4	G 绿色 Green	G 绿色 Green	24V						
	3 3 pole 1 button	12 (ON-ON) (单按钮)	W	Waterproof	T	Through hole	C5	Y 黄色 Yellow	Y 黄色 Yellow	48V						
	3 3 pole 3 button	13 (ON-OFF-ON) (双按钮)	H	High Actuator			C6	L 蓝色 Blue	L 蓝色 Blue	110V						
		23 (ON-OFF-ON) (双按钮)	V	V shape			C7	O 橙色 Orange	O 橙色 Orange	220V						
							C8	GR 灰色 Gray	GR 灰色 Gray							
							C9	C 咖啡色 Coffee	C 咖啡色 Coffee							
							C10									
							CX	其他颜色								



<p>KCD3-4-103 ON-OFF-ON KCD3-4-123 (ON)-OFF-(ON)</p>	<p>KCD3-11-201EN ON-OFF</p>
<p>KCD3-4-101N ON-OFF</p>	<p>KCD3-12-101N ON-OFF</p>
<p>KCD3-4-101EN ON-OFF</p>	<p>KCD3-18-101N ON-OFF</p>
<p>KCD3-5-101N ON-OFF</p>	<p>KCD3-14-201N ON-OFF</p>
<p>KCD6-101 ON-OFF</p>	<p>KCD3-14P-201N ON-OFF</p>
<p>KCD3-8-101 ON-OFF KCD3-8-102 ON-ON</p>	<p>KCD3-17-101EN ON-OFF</p>

KCD2 Series Rocker Switch

技术特性 Specification

- 规格 Rating: 20A 125VAC; 16A 250VAC
- 接触电阻 Contact Resistance: 35mΩ max
- 绝缘电阻 Insulation Resistance: 500VDC 100MΩ min
- 耐电压 Dielectric Strength: 1500VAC, 1 Minute
- 操作温度 Operating Temperature: -25°C ~ +85°C
- 电气寿命 Electrical Life: ≥ 10,000 Cycles

型号说明 Model Information

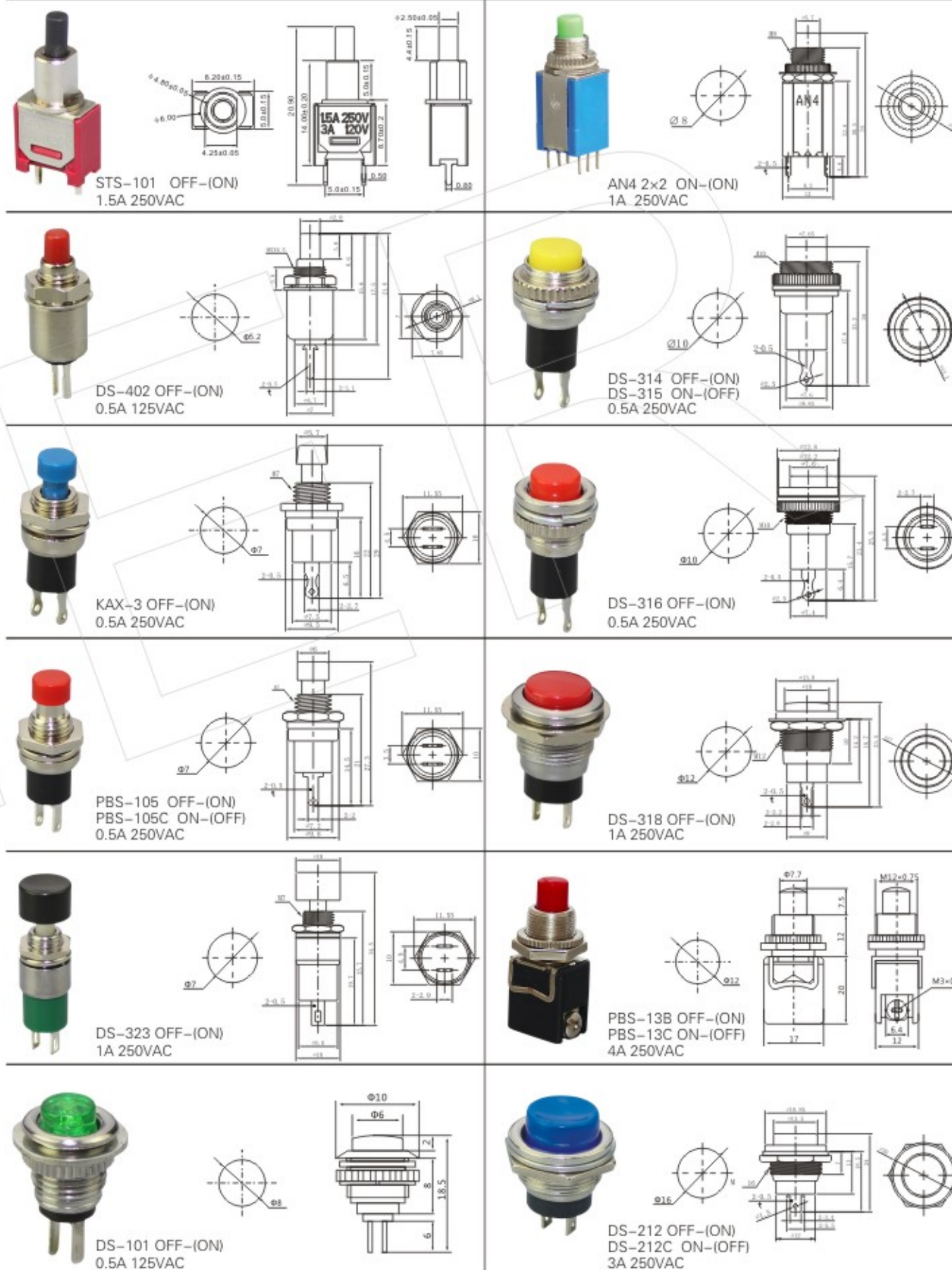
KCD 2 - 2 - 2 01 N W L - C3 - R B - 220V

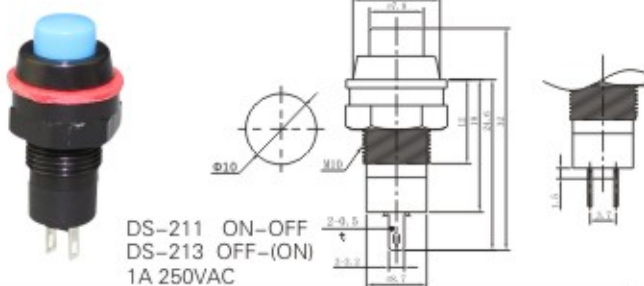
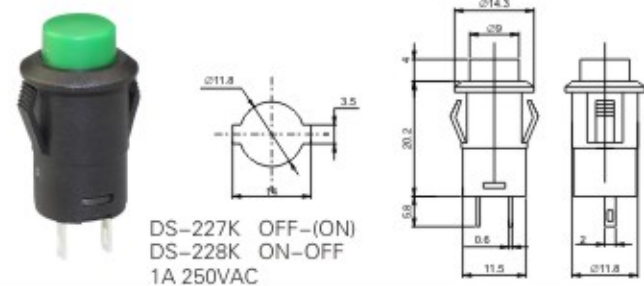
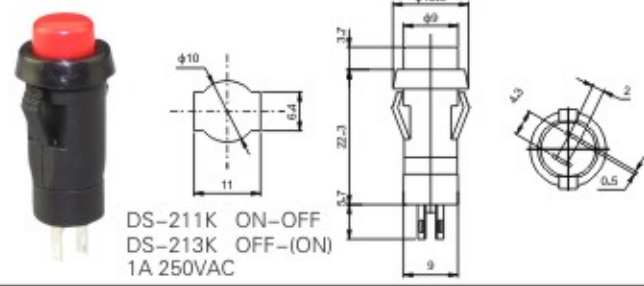
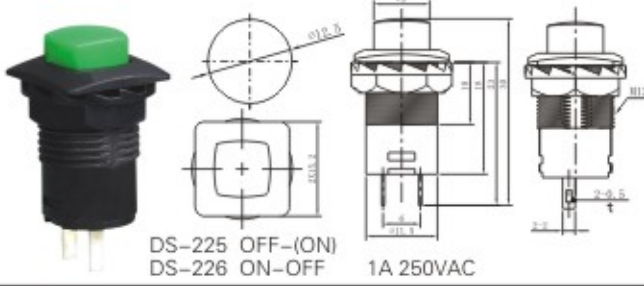
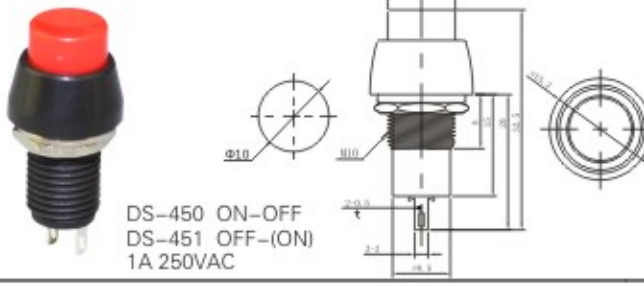
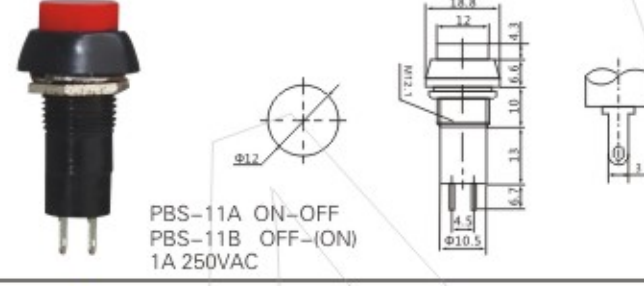
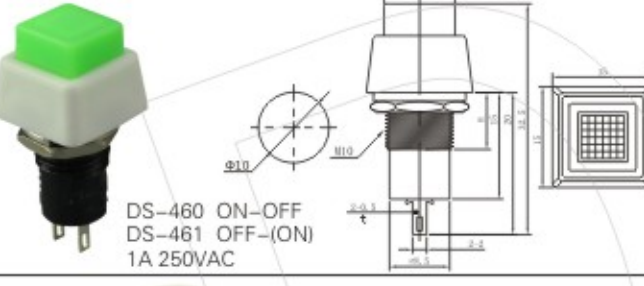
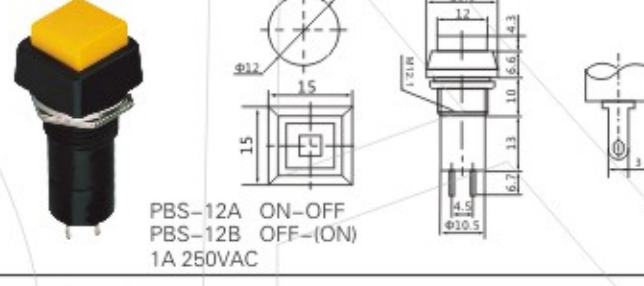

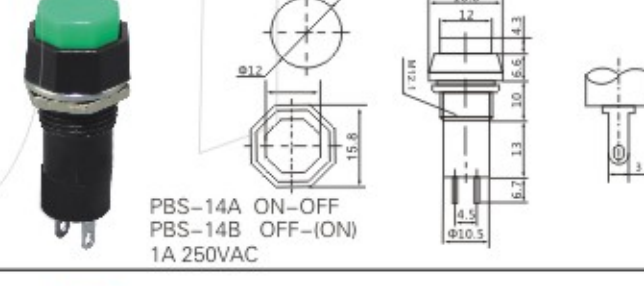
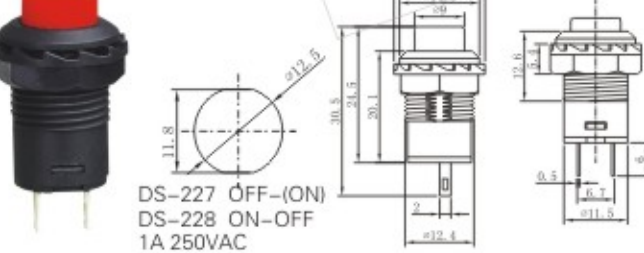
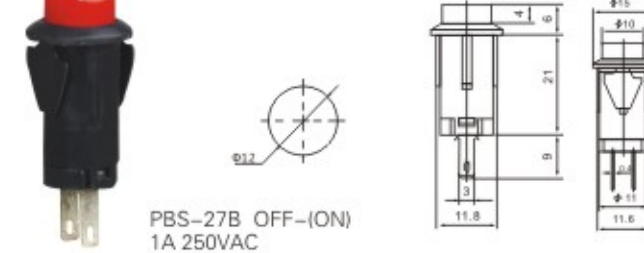
特征 Features	序号 Series	刀数 Poles	功能 Function	带灯状态 Lamp	按钮类型 Actuator	端子类型 Terminals	标记 Marking	按钮颜色 Actuator Color	外壳颜色 Housing Color	灯电压 Lamp Volt
1 Miniature	1	1 pole 1 button	01 ON-OFF	No Mark	No lamp	No Mark	C1	B 黑色 Black	B 黑色 Black	3V
2 Modern 2 poles	2	2 pole 1 button	02 ON-ON	N	Lens illuminated	D	C2	W 白色 White	W 白色 White	6V
3 Modern 1 pole	2	2 pole 2 button	03 ON-OFF-ON	EN	Dot illuminated	L	C3	R 红色 Red	R 红色 Red	12V
5 Sub-Miniature	2	2 pole 1 button	11 ON-OFF(带按钮)	No Mark	C shape	S	C4	G 绿色 Green	G 绿色 Green	24V
	3	3 pole 1 button	12 ON-ON(带按钮)	W	Waterproof	T	C5	Y 黄色 Yellow	Y 黄色 Yellow	48V
	3	3 pole 3 button	13 ON-OFF-ON(带按钮)	H	High Actuator		C6	B 蓝色 Blue	B 蓝色 Blue	110V
	3	3 pole 3 button	23 ON-OFF-ON(带按钮)	V	V shape		C7	O 橙色 Orange	O 橙色 Orange	220V
							C8	GR 灰色 Gray	GR 灰色 Gray	
							C9	C 咖啡色 Coffee	C 咖啡色 Coffee	
							CX	其他颜色		

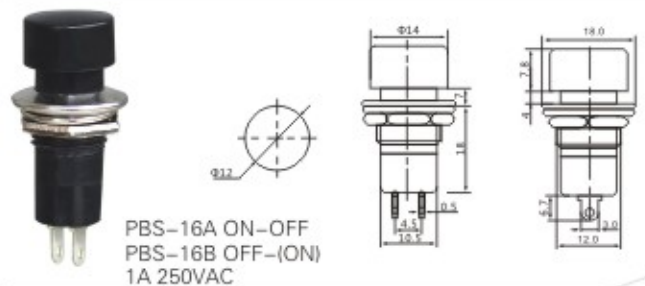
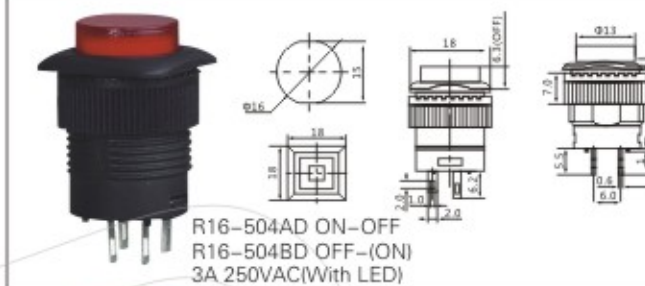
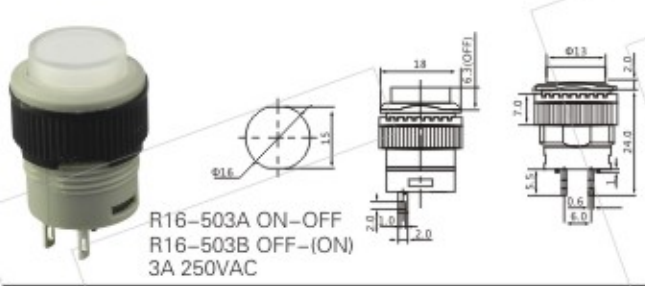

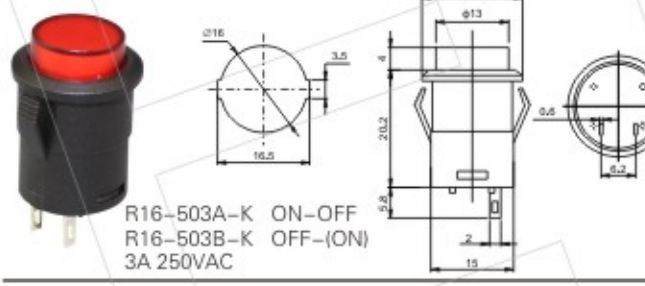
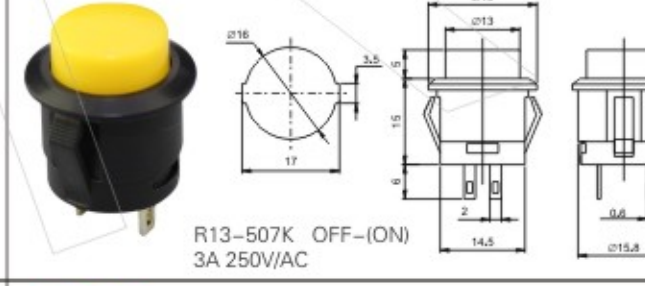
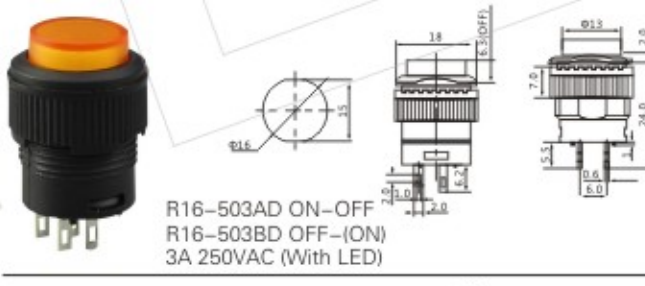
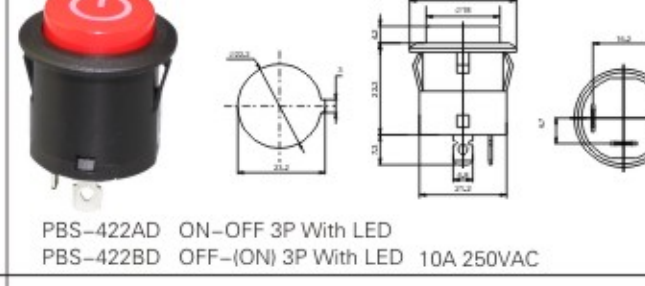
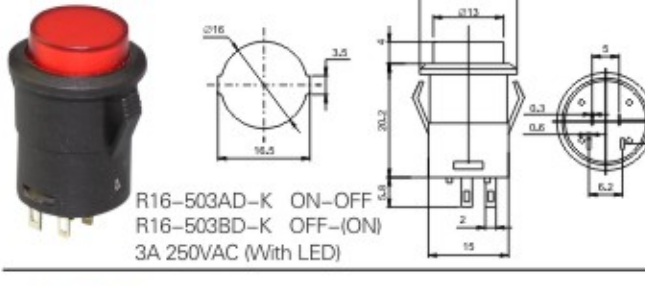
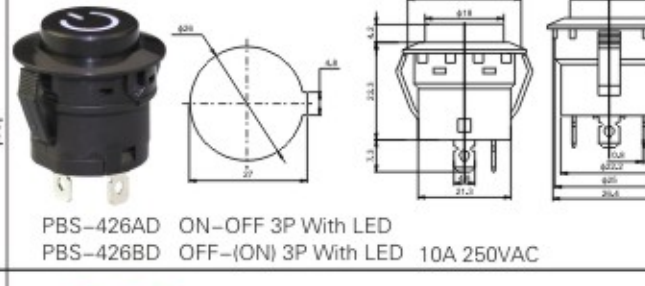
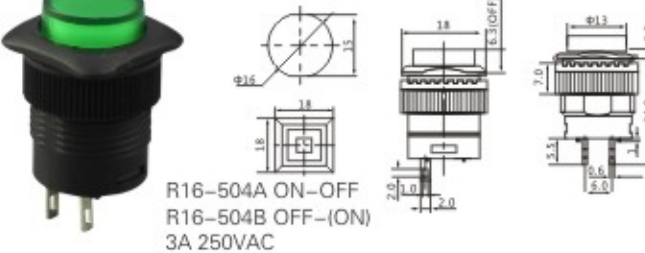
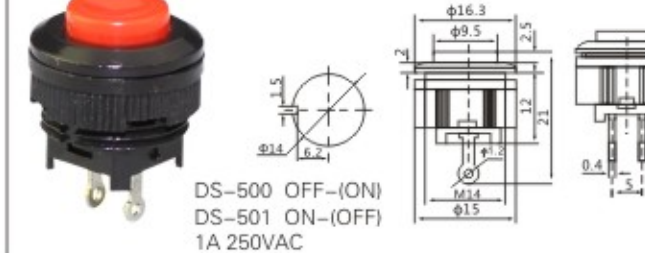
<p>KCD2-201 ON-OFF KCD2-211 OFF-(ON)</p>	<p>KCD2-202 ON-ON KCD2-212 ON-(ON)</p>
<p>KCD2-201N ON-OFF</p>	<p>KCD2-202N ON-ON</p>

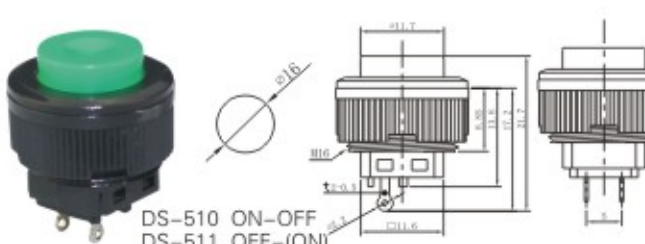
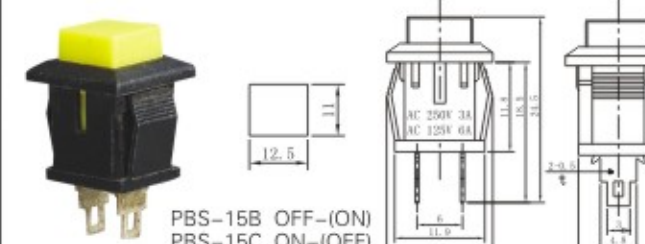
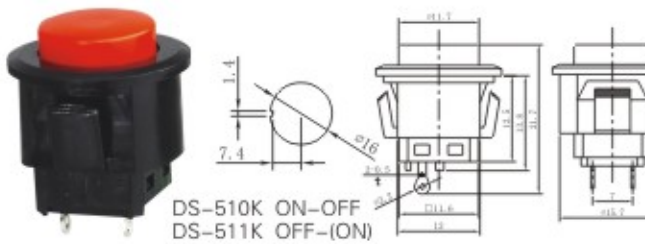
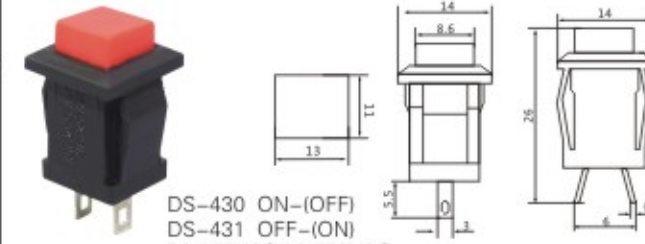
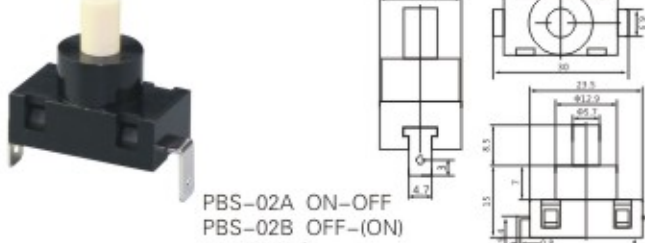
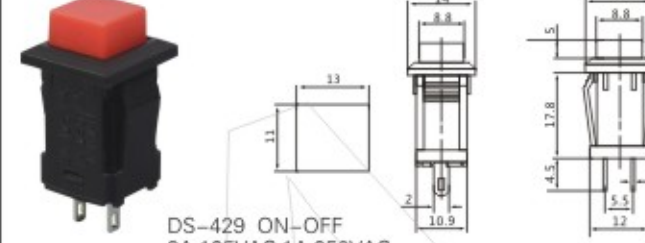
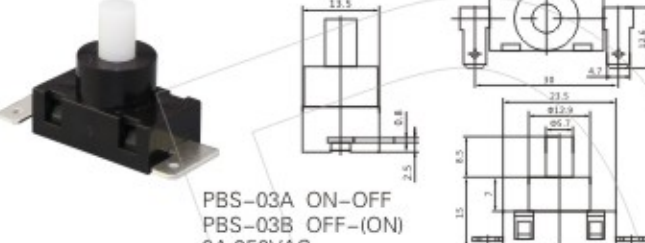
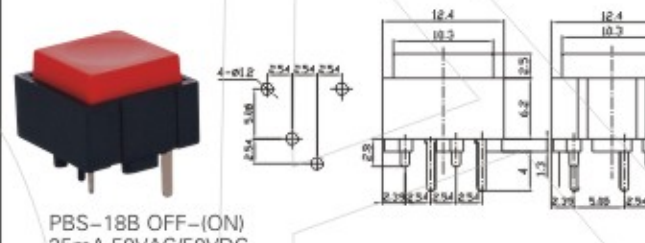
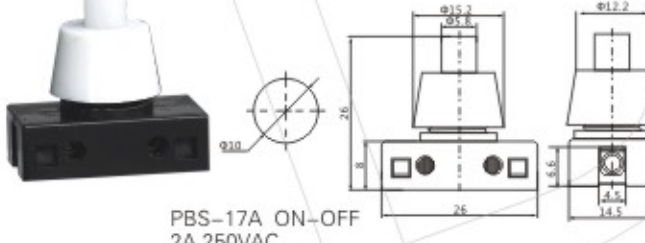
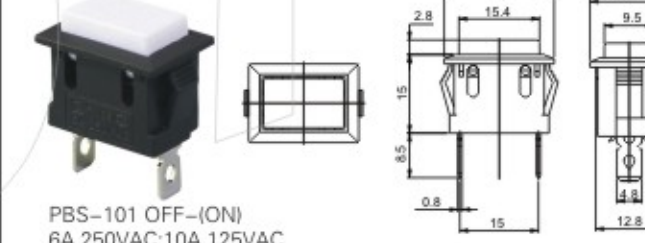
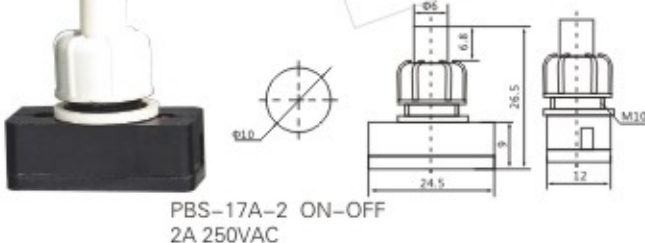
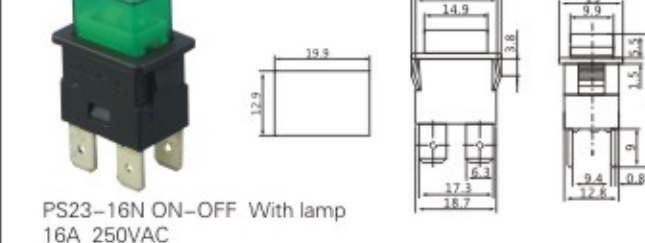
<p>KCD2-203 ON-OFF-ON KCD2-213 ON-OFF-(ON) KCD2-223 (ON)-OFF-(ON)</p>	<p>KCD2-202W ON-ON KCD2-203W ON-OFF-ON KCD2-202NW ON-ON KCD2-203NW ON-OFF-ON</p>
<p>KCD2-203N ON-OFF-ON</p>	<p>KCD2-2-201 ON-OFF KCD2-2-211 OFF-(ON)</p>
<p>KCD2-2101 ON-OFF 4P KCD2-2101N ON-OFF 6P</p>	<p>KCD2-2-201N ON-OFF</p>
<p>KCD2-2101EN ON-OFF</p>	<p>KCD2-2-201EN ON-OFF</p>
<p>WPC-04</p>	<p>KCD2-2-202 ON-ON KCD2-2-202N ON-ON</p>
<p>KCD2-201W ON-OFF KCD2-201NW ON-OFF</p>	<p>KCD2-2-201NS ON-OFF</p>


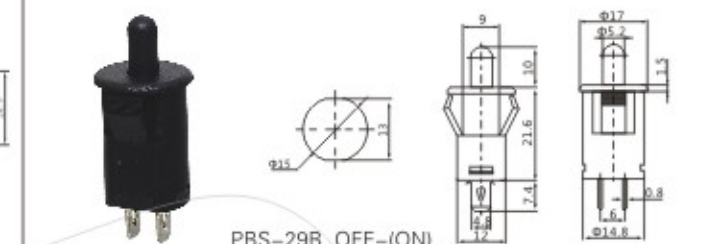
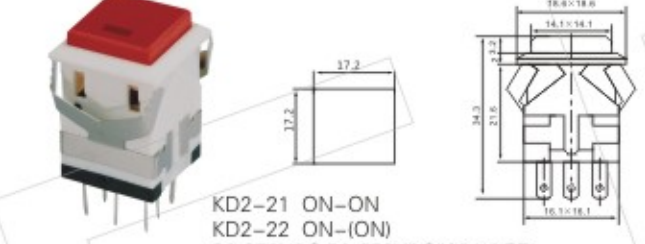
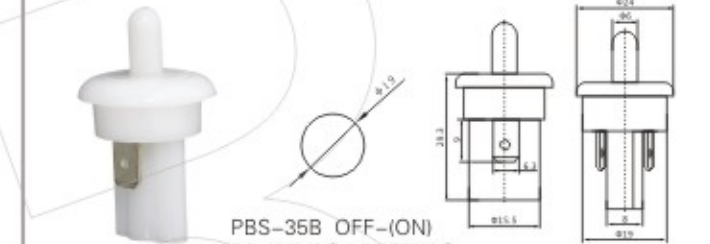


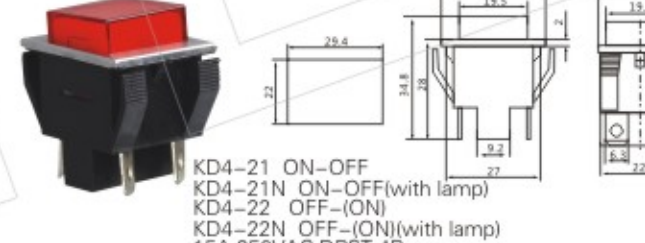
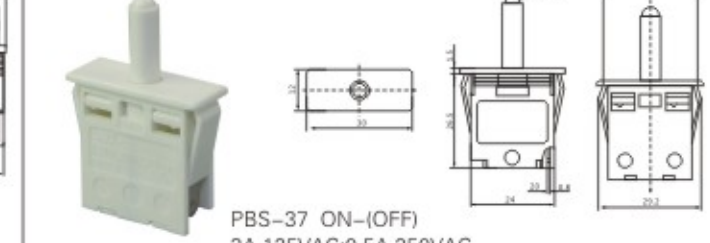
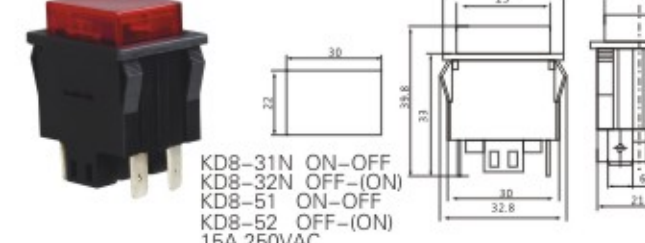
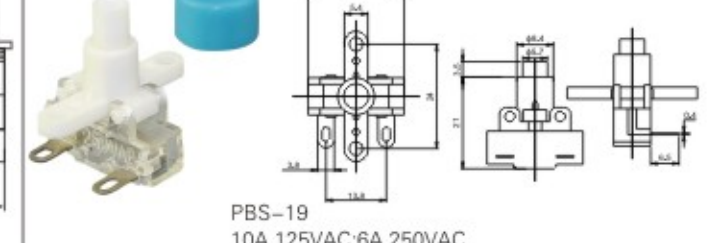
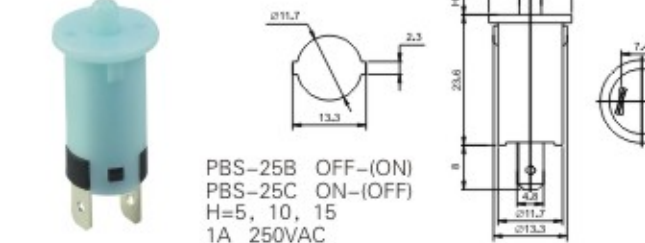

<p>KCD2-2-201W ON-OFF KCD2-2-201NW ON-OFF</p>	<p>KCD2-5-2101 ON-OFF 4P KCD2-5-2101N ON-OFF 6P</p>
<p>KCD2-2-202W ON-ON KCD2-2-202NW ON-ON</p>	<p>WPC-04B</p>
<p>KCD2-2-201P ON-OFF</p>	<p>KCD2-3101 ON-OFF 6P KCD2-3101N ON-OFF 9P KCD2-2-3101N ON-OFF 8P White Color</p>
<p>KCD2-3-201 ON-OFF KCD2-3-212 ON-(ON) KCD2-3-211 OFF-(ON) KCD2-3-203 ON-OFF-ON KCD2-3-202 ON-ON KCD2-3-223 (ON)-OFF-(ON)</p>	<p>KCD2-3-3101N ON-OFF 8P</p>
<p>KCD2-4-2101 ON-OFF 4P KCD2-4-2101N ON-OFF 6P</p>	<p>KCD2-10-201 ON-OFF KCD2-10-201N ON-OFF</p>
<p>KCD2-4-2101EN ON-OFF</p>	<p>RK1-06 ON-OFF RK1-06N ON-OFF</p>


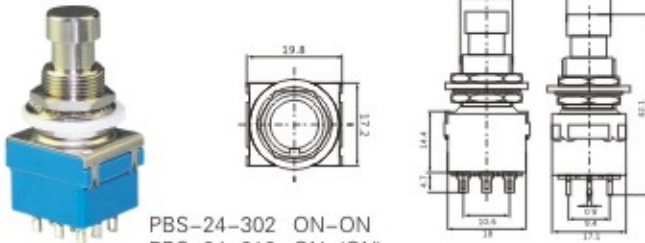

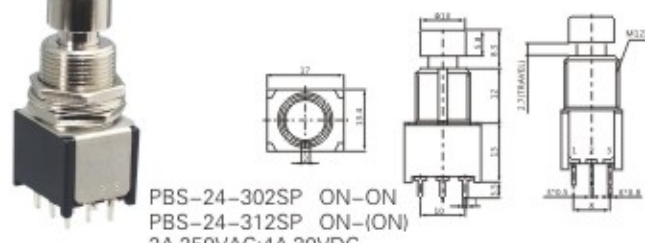
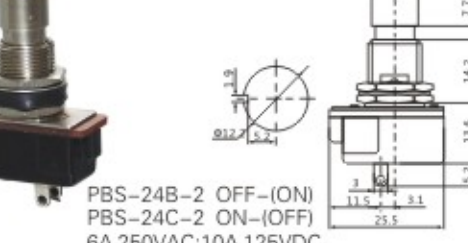
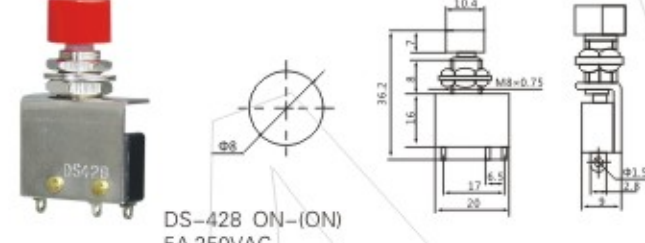
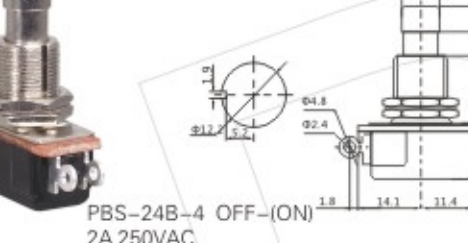


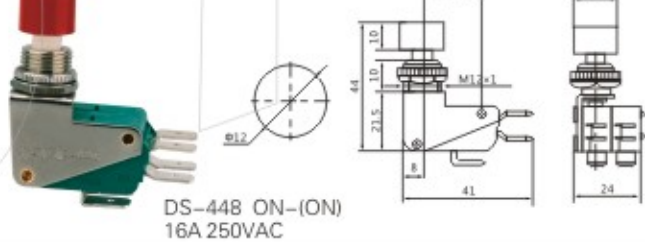

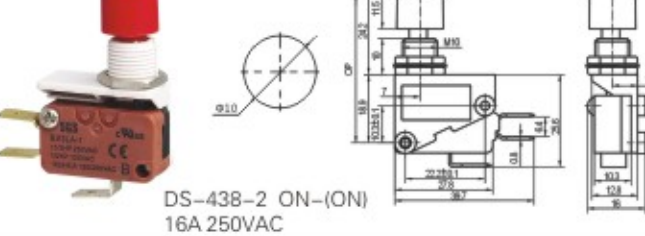


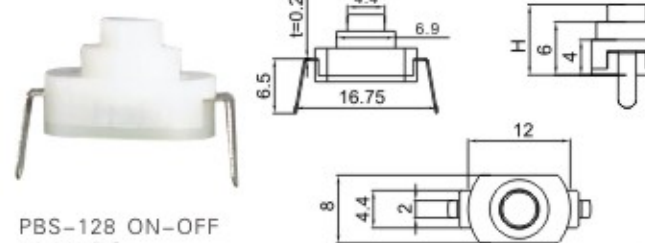
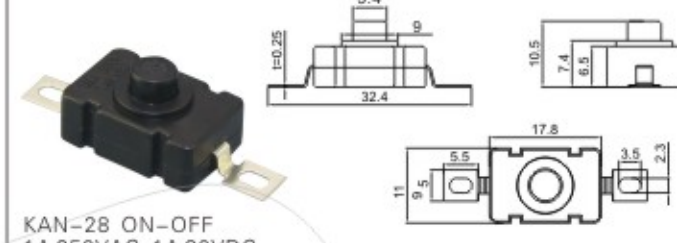
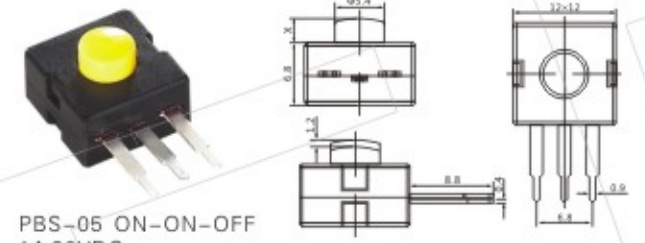
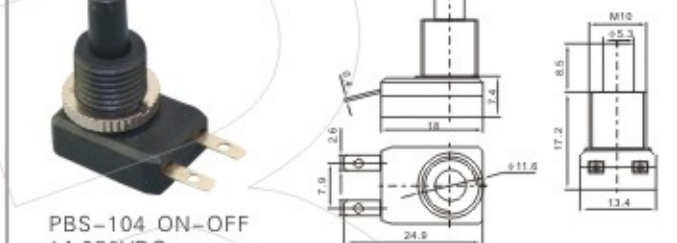

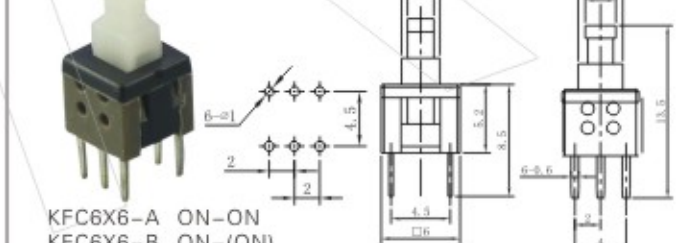
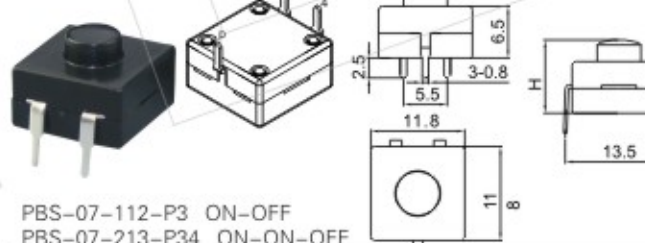
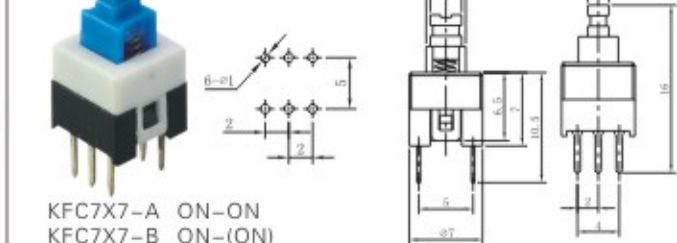
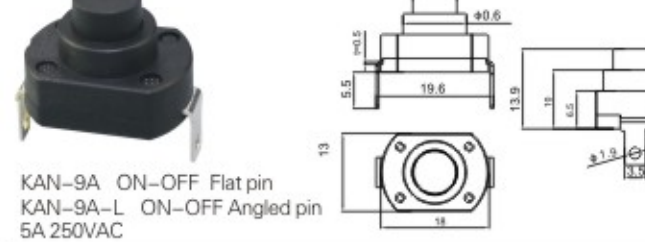
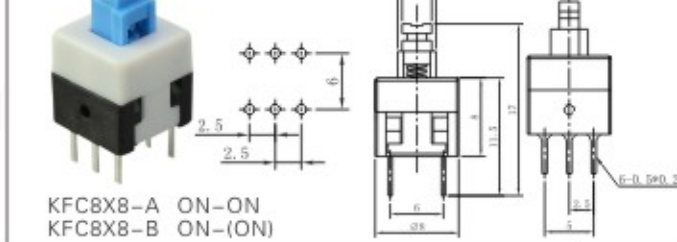
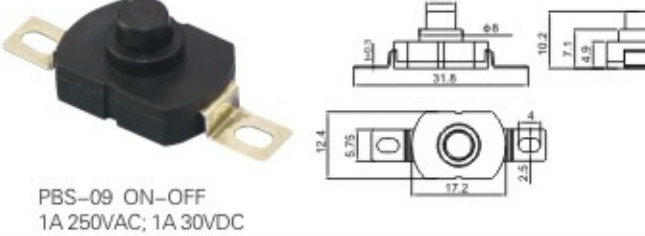
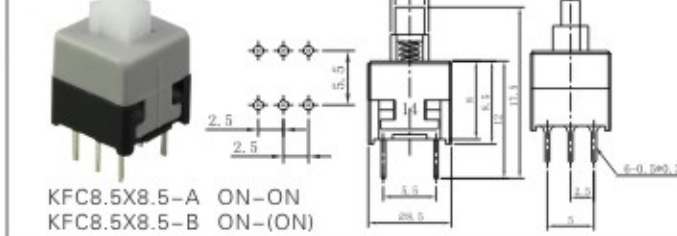
 <p>DS-211 ON-OFF DS-213 OFF-(ON) 1A 250VAC</p>	 <p>DS-227K OFF-(ON) DS-228K ON-OFF 1A 250VAC</p>
 <p>DS-211K ON-OFF DS-213K OFF-(ON) 1A 250VAC</p>	 <p>DS-225 OFF-(ON) DS-226 ON-OFF 1A 250VAC</p>
 <p>DS-450 ON-OFF DS-451 OFF-(ON) 1A 250VAC</p>	 <p>PBS-11A ON-OFF PBS-11B OFF-(ON) 1A 250VAC</p>
 <p>DS-460 ON-OFF DS-461 OFF-(ON) 1A 250VAC</p>	 <p>PBS-12A ON-OFF PBS-12B OFF-(ON) 1A 250VAC</p>
 <p>PBS-33B OFF-(ON) IP54 1A 250VAC WPC-33 Waterproof cover</p>	 <p>PBS-14A ON-OFF PBS-14B OFF-(ON) 1A 250VAC</p>
 <p>DS-227 OFF-(ON) DS-228 ON-OFF 1A 250VAC</p>	 <p>PBS-27B OFF-(ON) 1A 250VAC</p>
















 <p>PBS-16A ON-OFF PBS-16B OFF-(ON) 1A 250VAC</p>	 <p>R16-504AD ON-OFF R16-504BD OFF-(ON) 3A 250VAC (With LED)</p>
 <p>R16-503A ON-OFF R16-503B OFF-(ON) 3A 250VAC</p>	 <p>R13-507 OFF-(ON) 3A 250V/AC</p>
 <p>R16-503A-K ON-OFF R16-503B-K OFF-(ON) 3A 250VAC</p>	 <p>R13-507K OFF-(ON) 3A 250V/AC</p>
 <p>R16-503AD ON-OFF R16-503BD OFF-(ON) 3A 250VAC (With LED)</p>	 <p>PBS-422AD ON-OFF 3P With LED PBS-422BD OFF-(ON) 3P With LED 10A 250VAC</p>
 <p>R16-503AD-K ON-OFF R16-503BD-K OFF-(ON) 3A 250VAC (With LED)</p>	 <p>PBS-426AD ON-OFF 3P With LED PBS-426BD OFF-(ON) 3P With LED 10A 250VAC</p>
 <p>R16-504A ON-OFF R16-504B OFF-(ON) 3A 250VAC</p>	 <p>DS-500 OFF-(ON) DS-501 ON-(OFF) 1A 250VAC</p>

 <p>DS-510 ON-OFF DS-511 OFF-(ON) 1A 250VAC</p>	 <p>PBS-15B OFF-(ON) PBS-15C ON-(OFF) 3A 250VAC</p>
 <p>DS-510K ON-OFF DS-511K OFF-(ON) 1A 250VAC</p>	 <p>DS-430 ON-(OFF) DS-431 OFF-(ON) 3A 125VAC; 1A 250VAC</p>
 <p>PBS-02A ON-OFF PBS-02B OFF-(ON) 2A 250VAC</p>	 <p>DS-429 ON-OFF 3A 125VAC; 1A 250VAC</p>
 <p>PBS-03A ON-OFF PBS-03B OFF-(ON) 2A 250VAC</p>	 <p>PBS-18B OFF-(ON) 25mA 50VAC/50VDC</p>
 <p>PBS-17A ON-OFF 2A 250VAC</p>	 <p>PBS-101 OFF-(ON) 6A 250VAC; 10A 125VAC</p>
 <p>PBS-17A-2 ON-OFF 2A 250VAC</p>	 <p>PS23-16N ON-OFF With lamp 16A 250VAC</p>

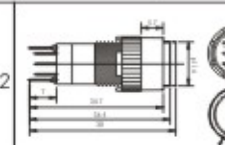
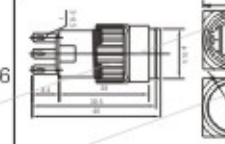
 <p>PS18-16N-2 ON-OFF With lamp WPC-18 waterproof cover</p>	 <p>PBS-29B OFF-(ON) 3A 250VAC</p>
 <p>KD2-21 ON-ON KD2-22 ON-(ON) 3A 250VAC; 6A 250VAC (With LED)</p>	 <p>PBS-35B OFF-(ON) 3A 125VAC; 1A 250VAC</p>
 <p>KD2-23 ON-ON KD2-24 ON-(ON) 3A 250VAC; 6A 250VAC</p>	 <p>PBS-35C ON-(OFF) 3A 125VAC; 1A 250VAC</p>
 <p>KD4-21 ON-OFF KD4-21N ON-OFF (with lamp) KD4-22 OFF-(ON) KD4-22N OFF-(ON) (with lamp) 15A 250VAC; DPST 4P</p>	 <p>PBS-37 ON-(OFF) 3A 125VAC; 0.5A 250VAC</p>
 <p>KD8-31N ON-OFF KD8-32N OFF-(ON) KD8-51 ON-OFF KD8-52 OFF-(ON) 15A 250VAC</p>	 <p>PBS-19 10A 125VAC; 6A 250VAC</p>
 <p>PBS-25B OFF-(ON) PBS-25C ON-(OFF) H=5, 10, 15 1A 250VAC</p>	 <p>LXW20-11 ON-(ON) 15A 380VAC</p>

 <p>DS-612 ON-ON DS-613 ON-(ON) 2A 250VAC; 5A 125VAC</p>	 <p>PBS-24-302 ON-ON PBS-24-312 ON-(ON)</p>
 <p>DS-622 ON-ON DS-623 ON-(ON) 2A 250VAC; 5A 125VAC</p>	 <p>PBS-24-302SP ON-ON PBS-24-312SP ON-(ON) 2A 250VAC; 4A 30VDC</p>
 <p>PBS-24B-2 OFF-(ON) PBS-24C-2 ON-(OFF) 6A 250VAC; 10A 125VDC</p>	 <p>DS-428 ON-(ON) 5A 250VAC</p>
 <p>PBS-24B-4 OFF-(ON) 2A 250VAC</p>	 <p>DS-438 ON-(ON) 16A 250VAC</p>
 <p>PBS-24-102P ON-ON 3P PBS-24-112P ON-(ON) 3P PBS-24-202P ON-ON 6P PBS-24-212P ON-(ON) 6P</p>	 <p>DS-448 ON-(ON) 16A 250VAC</p>
 <p>PBS-24-102 ON-ON 3P PBS-24-112 ON-(ON) 3P PBS-24-202 ON-ON 6P PBS-24-212 ON-(ON) 6P</p>	 <p>DS-438-2 ON-(ON) 16A 250VAC</p>

 <p>PBS-128 ON-OFF 1A 30VDC</p>	 <p>KAN-28 ON-OFF 1A 250VAC; 1A 30VDC</p>
 <p>PBS-05 ON-ON-OFF 1A 30VDC</p>	 <p>PBS-104 ON-OFF 1A 250VDC</p>
 <p>PBS-06 ON-OFF 1A 30VDC</p>	 <p>KFC6X6-A ON-ON KFC6X6-B ON-(ON)</p>
 <p>PBS-07-112-P3 ON-OFF PBS-07-213-P34 ON-ON-OFF</p>	 <p>KFC7X7-A ON-ON KFC7X7-B ON-(ON)</p>
 <p>KAN-9A ON-OFF Flat pin KAN-9A-L ON-OFF Angled pin 5A 250VAC</p>	 <p>KFC8X8-A ON-ON KFC8X8-B ON-(ON)</p>
 <p>PBS-09 ON-OFF 1A 250VAC; 1A 30VDC</p>	 <p>KFC8.5X8.5-A ON-ON KFC8.5X8.5-B ON-(ON)</p>

 PBS8.5X8.5-A ON-ON PBS8.5X8.5-B ON-(ON)	 PS-22F01L ON-ON PS-22F01N ON-(ON)	 KZJ2X2-1J-A ON-ON KZJ2X2-1J-B ON-(ON)
 KM8.5X8.5-4 (4.7X12.5X4.5mm) KM8.5X8.5-3 (φ6X10mm) KM8.5X8.5-2 (φ6X7mm) KM8.5X8.5-1 (φ6X5mm) KM8.5X8.5-0 (φ6X3.7mm) KM8.5X8.5-7 (φ13.2X7.8mm) KM8.5X8.5-6 (φ15.8X7.5mm) KM8.5X8.5-5 (10X18X6.8mm)	 PS-22F03L ON-ON PS-22F03N ON-(ON)	 KZJ2X4-A ON-ON KZJ2X4-B ON-(ON)
 PS-22F05L ON-ON PS-22F05N ON-(ON)	 TV-3-A ON-OFF TV-3-B OFF-(ON)	
 PS-42F09L ON-ON PS-42F09N ON-(ON)	 KDC-A10-A ON-OFF KDC-A10-B OFF-(ON)	
 PS-12E01L ON-ON PS-12E01N ON-(ON)	 KZJ2X2-A ON-ON KZJ2X2-B ON-(ON)	 KM3.3X3.3-15 (5.4X5.4X14.8mm) KM3.3X3.3-3 (5.4X5.4X9.2mm) KM3.3X3.3-2 (9X10.4mm) KM3.3X3.3-1 (7.5X12.5mm) KM3.3X3.3-10 (20X7.5X11mm) KM3.3X3.3-7 (12.2X5.7X11.2mm) KM3.3X3.3-5 (9.8X5.6X11.3mm)
 PS-22E01L ON-ON PS-22E01N ON-(ON)	 KZJ2X2-1A ON-ON KZJ2X2-1B ON-(ON)	

A Series Plastic Push Button

A 塑料型 Series	16 尺寸 Mounting Size	11 刀数 Poles	S 功能 Function	Y 形状 shape	N 灯 LED	□ 外壳颜色 Housing Color	R 按钮颜色 Actuator Color	12V 灯电压 LED Volt
A12		11 1 NO 1NC 20 2NC 22 2NO 2NC 10 1NC	Y:圆形 Round F:正方形 Square J:长方形 Rectangle R:急停 Emergency M:蘑菇形 mushroom X:旋转形 Rotary type K:钥匙形 key type		No LED E Ring illuminated P Laser Power Logo EP Laser Power Logo+Ring N Lens illuminated S Custom Laser Symbol	黑色Black S 银色Silver	R 红色Red G 绿色Green Y 黄色Yellow B 蓝色Blue W 白色White A 黑色Black S 银色Silver	3V 6V 12V 24V 48V 110V 220V
A16		S:(复位 Momentary) Z:(自锁 Latching)						

 A12-11SY; A12-11SY-N ON-(ON) A12-11ZY; A12-11ZY-N ON-ON	 A16-22SF-N ON-(ON) A16-22ZF-N ON-ON	 A16-11ZX2 ON-ON 3P A16-22ZX2 ON-ON 6P A16-22ZX3 ON-OFF-ON 6P	 A16-10SR-B SPST A16-20SR-B DPST
 A12-11SF; A12-11SF-N ON-(ON) A12-11ZF; A12-11ZF-N ON-ON	 A16-11SJ-N ON-(ON) A16-11ZJ-N ON-ON	 A16-11ZK2 ON-ON 3P A16-22ZK2 ON-ON 6P A16-22ZK3 ON-OFF-ON 6P	 A22-11SY-N-SΔ ON-(ON) A22-11ZY-N-SΔ ON-ON
 A12-11SJ; A12-11SJ-N ON-(ON) A12-11ZJ; A12-11ZJ-N ON-ON	 A16-11SM ON-(ON) A16-11ZM ON-ON	 A16-BZ 蜂鸣器	 A22-11SY-EP-SS ON-(ON) A22-11ZY-EP-SS ON-ON
 A16-11SY; A16-11SY-N ON-(ON) A16-11ZY; A16-11ZY-N ON-ON	 A16-11SR SPDT A16-22SR DPDT	 A16-10SR-F SPST A16-20SR-F DPST	 S01 Square S02 Rectangle

IP67 Series Plastic Push Button

L	19	F	11	E	L	□	S	R	R	12V
塑料型 SERIES	尺寸 Mounting Dia.	按钮形状 Button Shape	接触方式 Contact Mode	灯 LED	开关功能 Function	类别 Tape	外壳颜色 Housing Color	按钮颜色 Actuator Color	LED颜色 LED Color	LED电压 LED VOLT
L12	13.7X30	F Flat Round	10 1NO		M Momentary	A 黑色Black S 银色Silver	R 红色Red G 绿色Green Y 黄色Yellow B 蓝色Blue W 白色White A 黑色Black S 银色Silver	Same as button R 红色Red G 绿色Green Y 黄色Yellow B 蓝色Blue W 白色White 2A Red/green 2B Red/yellow 2C Red/blue 2D Red/white 2E Green/blue 2F Green/yellow 3A Red/green/blue 3B Red/green/yellow 3D Red/green/white 3E Red/blue/yellow 3F Red/blue/white		3V 6V 12V 24V 48V 110V 220V
L16		H High Round	11 1NO1NC 22 2NO2NC		L Latching					
L19										
L22										
L25	28X35									

No LED	开关 Switch
E Ring illuminated	R 急停 Emergency
P Laser Power Logo	K 钥匙形 key type
EP Laser Power Logo+Ring	X 旋转形 Rotary type
N Lens illuminated	D 指示灯 Indicator
S Custom Laser Symbol	

 <p>L16F-11M-SΔ 3P ON-(ON) L16F-11L-SΔ 3P ON-ON L16F-11NM-SΔ 5P ON-(ON) L16F-11NL-SΔ 5P ON-ON</p>	 <p>L19F-11EPM-AA 5P ON-(ON) L19F-11EPL-AA 5P ON-ON L19F-11EPM-AA 6P Dual LED L19F-11EPM-AA 7P Triple LED</p>	 <p>L22F-11PM-SS 5P ON-(ON) L22F-11PL-SS 5P ON-ON L22F-11PM-SS 6P Dual LED L22F-11PM-SS 7P Triple LED</p>
 <p>L16F-11M-AAΔ 3P ON-(ON) L16F-11L-AAΔ 3P ON-ON L16F-11NM-AAΔ 5P ON-(ON) L16F-11NL-AAΔ 5P ON-ON</p>	 <p>L22F-11M-SΔ 3P ON-(ON) L22F-11L-SΔ 3P ON-ON L22F-11NM-SΔ ON-(ON) L22F-11NL-SΔ ON-ON</p>	 <p>Harness</p> <p>L16-HS□ (For L16 SW) L19-HS□ (For L19/L22 SW) LAS1-19-HS□ (For LAS1-19 SW) GQ22-HS□ (For GQ22 SW) GQ25-HS□ (For GQ25 SW) □: Number of wires</p>
 <p>L19F-11M-SΔ 3P ON-(ON) L19F-11L-SΔ 3P ON-ON L19F-11NM-SΔ ON-(ON) L19F-11NL-SΔ ON-ON</p>	 <p>L22F-11M-AAΔ 3P ON-(ON) L22F-11L-AAΔ 3P ON-ON L22F-11NM-AAΔ ON-(ON) L22F-11NL-AAΔ ON-ON</p>	 <p>DPC-16 φ16 DPC-19 φ19 DPC-22 φ22 DPC-25 φ25 Dustproof&Safety cover</p>

				
DS-12B	GQ-16F	PBS-28B-2/J	GQ22F-11	GQ30F
				
DS-12B-DM	GQ-16B	PBS-28B	GQ22-11E	GQ40F-22E
				
DS-12B-L	GQ-16H/J	PBS-28B-4	GQ22-11D	PZ16F-10 Piezo Switch
				
DS-12B-DL	GQ16F-10EM	GQ19BS-10EM	GQ25H	PZ19C-10 Piezo Switch
				
GQ-12B	LAS3-16F-11E	LAS1-19F-E	GQ25F-E	PZ22-10E Piezo Switch
				
GQ12H-10EM	LAS3-16F-11D	LAS1-19F-D	GQ25F-D	TS22C-10E Touch Switch

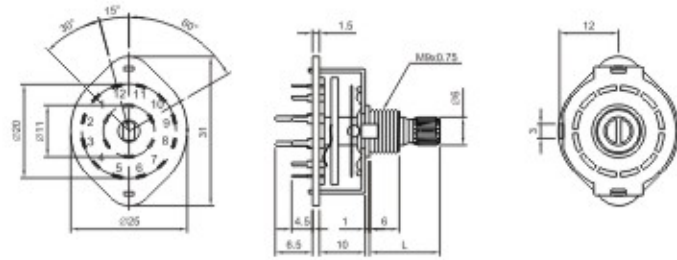


  ST-1 Straight pins ST-1B Angled pins 3-25A 125/250VAC/32VDC	 ST-001S Short 3pin w/LED 3-20A 125/250VAC/32VDC	 ST-003L Long 3pin w/LED 3-20A 125/250VAC/32VDC	 KSD301A-OF2 NC Type KSD301B-OF2 NO Type 0°C-260°C 10A/16A 250VAC
  ST-2P 15-50A 125/250VAC/32VDC	 ST-001L Long 3pin w/LED 3-20A 125/250VAC/32VDC	 ST-002 5-20A 125/250VAC/32VDC	 KSD301A-OR2 NC Type KSD301B-OR2 NO Type 0°C-260°C 10A/16A 250VAC
 ST-2A 15-50A 125/250VAC/32VDC	 ST-003S-101 Short 2pin ST-003L-101 Long 2pin 3-20A 125/250VAC/32VDC	 RY-01 Thermo fuse 65°C-285°C 10A/15A 250VAC	 KSD301M-OF2 Manual reset NC Type 75°C-185°C 10A/16A 250VAC
 ST-001S-101 Short 2pin ST-001L-101 Long 2pin 3-20A 125/250VAC/32VDC	 ST-003S Short 3pin w/LED 3-20A 125/250VAC/32VDC	 TLRS-9700P (Plastic Type) 40°C-120°C 5A 250VAC TLRS-9700M (Metal Type) 40°C-150°C 5A 250VAC	 KSD301M-BR2 Manual reset NC Type 75°C-185°C 10A/16A 250VAC

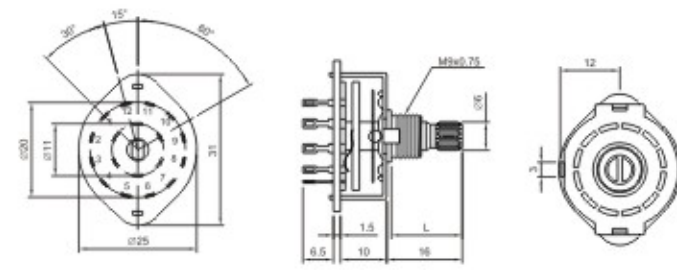
 KS-01-101C ON-OFF Total Length=23.5mm 0.5A 250VAC;0.5A 24VDC	 K16-05 ON-OFF Total Length=31.75mm 2A 250VAC;4A 28VDC
 KS-01-101A ON-OFF Total Length=29mm 0.5A 250VAC;0.5A 24VDC	 K16-05C-102 3P ON-ON K16-05C-202 6P ON-ON Total Length=31.75mm 2A 250VAC;4A 28VDC
 KS-02-101 ON-OFF Total Length=24mm 0.5A 250VAC;0.5A 24VDC	 K19-06 ON-OFF 2P Total Length=40.3mm 2A 250VAC;4A 28VDC
 KS-02-101A ON-OFF Total Length=29mm 0.5A 250VAC;0.5A 24VDC	 K19-02-201 DPST ON-OFF 4P K19-02-102 SPDT ON-ON 4P Total Length=37.5mm 2A 250VAC;4A 28VDC
 KS-03-101 ON-OFF Total Length=23.5mm KS-03-111 OFF-(ON) Total Length=30.2mm 0.5A 250VAC;0.5A 24VDC	 K19-03-201 DPST ON-OFF 4P K19-03-102 SPDT ON-ON 4P Total Length=37.5mm 2A 250VAC;4A 28VDC
 KS-07 ON-OFF Total Length=33mm 0.5A 250VAC;0.5A 24VDC	 K19-04-102 SP ON-ON K19-04-202 DP ON-ON K19-04-103 SP ON-ON-ON K19-04-203 DP ON-ON-ON Total Length=34mm 2A 250VAC;4A 28VDC
 K16-101 ON-OFF K16-102 OFF-ON-ON Total Length=30.5mm 2A 250VAC;4A 28VDC	 K19-05-112 SP ON-(ON) K19-05-212 DP ON-(ON) K19-05-113 SP ON-ON-(ON) K19-05-213 DP ON-ON-(ON) K19-05-123 SP (ON)-ON-(ON) K19-05-223 DP (ON)-ON-(ON) Total Length=39.5mm 2A 250VAC;4A 28VDC



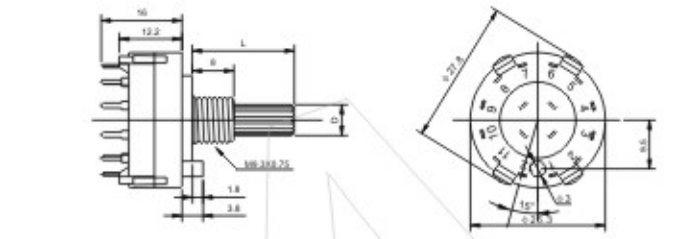
RBS-1-112-20VP (1P12T)
RBS-1-206-20VP (2P6T)
RBS-1-304-20VP (3P4T)
RBS-1-403-20VP (4P3T)
RBS-1-602-20VP (6P2T)
L=15;20;25;40mm
0.5A 125VAC;0.3A 250VAC



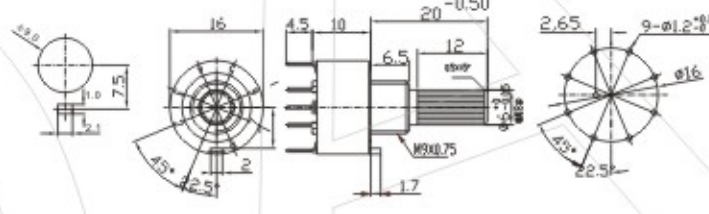
RBS-1-112-20VS (1P12T)
RBS-1-206-20VS (2P6T)
RBS-1-304-20VS (3P4T)
RBS-1-403-20VS (4P3T)
RBS-1-602-20VS (6P2T)
L=15;20;25;40mm
0.5A 125VAC;0.3A 250VAC



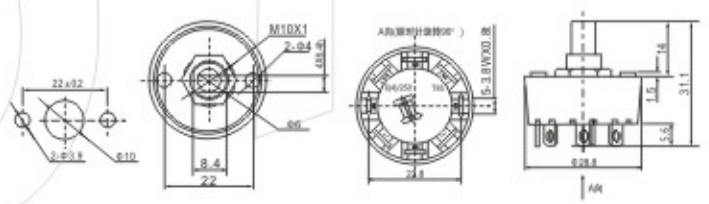
RTS-01-1P-20VP (1 Pole)
RTS-01-2P-20VP (2 Poles)
RTS-01-3P-20VP (3 Poles)
RTS-01-4P-20VP (4 Poles)
L=15;20;25;30;38;50mm
0.3A 125VAC;0.15A 250VAC



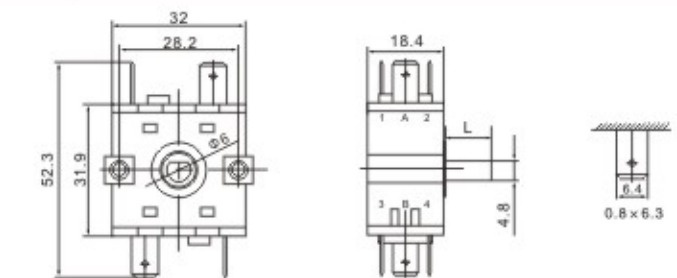
RS16-1-8-15VP (1P8T)
RS16-2-4-15VP (2P4T)
L=15;20;25mm
0.3A 60VDC



RT634-1 (5Pin 4Position)
RT634-2 (3Pin 2Position)
RT634-3 (4Pin 3Position)
RT634-4 (6Pin 5Position)
RT634-5 (7Pin 6Position)
RT634-6 (8Pin 7Position)
RT634-7 (9Pin 8Position)
6A 250VAC T85



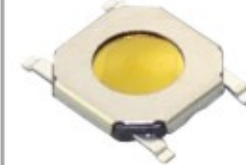
RT2
L=11.4;15;18;23;26mm
16A 250VAC T100



TST335-1.8
TST335-2.5
3X3.5X1.8/2.5



TST3425
3.2X4.2X2.5



TS4408
5.2X5.2X1.0



TST3635
3.5X7X3.5



KFC-003A
3.7X6.1X2.5



KFC-003B
4.2X6.1X2.5



KFC-003C-4.3
KFC-003C-5.0
3.5X6.1X4.3/5.0



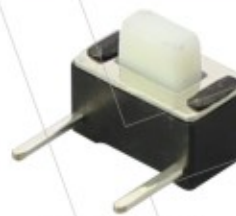
KFC-003D-4.3
KFC-003D-5.0
3.5X6.1X4.3/5.0



KFC-003E-4.3
KFC-003E-5.0
3.5X6.1X4.3/5.0



KFC-003L-4.3
KFC-003L-5.0
3.5X6.1X4.3/5.0



KFC-003P-4.3
KFC-003P-5.0
3.5X6.1X4.3/5.0



KFC-004A
5.2X5.2X1.5



KFC-004B-2.5
KFC-004B-3.1
6.5X6.2X2.5/3.1



KFC-004D-2.5
KFC-004D-3.1
6.5X6.2X2.5/3.1



KFC-004E-2.5
KFC-004E-3.1
6.5X6.2X2.5/3.1



KFC-045-H
4.5X4.5XH
H=3.8/4.3/4.8/5.0/7.0



KFC-045A-H
4.5X4.5XH
H=3.8/4.3/4.8/5.0/7.0



KFC-045P3-H
4.5X4.5XH
H=3.8/4.3/4.8/5.0/7.0



KFC-A06-H
6X6XH(H=4.3~23)



KFC-A06A-H
6X6XH(H=4.3~23)



KFC-A06B-H
6X6XH(H=4.3~23)



KFC-A06BS-H
6X6XH(H=4.3~23)



KFC-A06R5-H
6X6XH(H=4.3~23)



KFC-A06P2-H
6X6XH(H=4.3~23)



KFC-A06P4-H
6X6XH(H=4.3~23)



KFC-A06P3-H
6X6XH(H=4.3~23)



KFC-A06T-H
6X6XH(H=4.3~23)



KFC-A06Y-4.3
KFC-A06Y-5.0



KFC-A06W1-7.3F
6X6X7.3



KFC-A06W1-H
6X6XH(H=4.3~13)


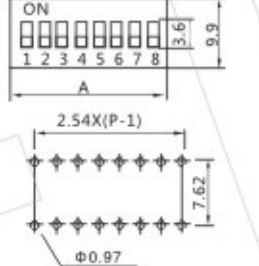

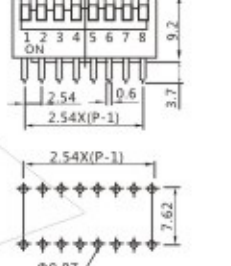

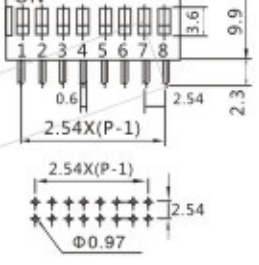

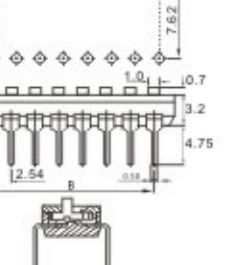

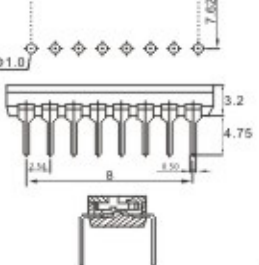

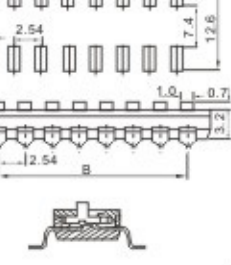

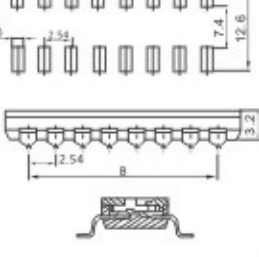
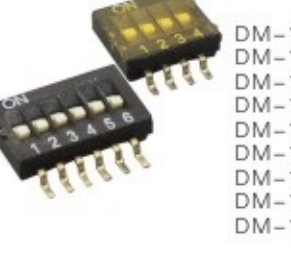
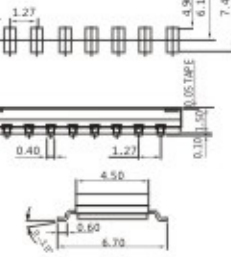
 KFC-A06W2-H 6X6XH(H=4.3~13)	 KFC-A06W3-H 6X6XH(H=4.3~13)	 TSX88HN 7.8X7.8X5.5	 TSX88HS 7.8X7.8X5.5	 KFC-012-H 12X12XH(H=4.3~21)
 KFC-012A-H 12X12XH(H=4.3~21)	 KFC-012P2-H 12X12XH(H=4.3~21)	 KFC-012-7.3F 12X12X7.3	 <ul style="list-style-type: none"> KM12X12-F ϕ 10X5mm KM12X12-3 12X12X4.8mm KM12X12-2 ϕ 9X12.8mm KM12X12-1 ϕ 13X8.5mm 	 WS-A06-H IP67 6X6XH(H=4.3~19)
 WS-A06A-H IP67 6X6XH(H=4.3~19)	 WS-M06-4.3 WS-M06-5.0 IP67 WS-M06A-4.3 WS-M06A-5.0 IP67	 KFC-A06J-3.5 6.5X6.2X3.5 IP67	 WS-A08-H IP67 8X8XH(H=6.5~19)	
 WS-010-H 10X10XH IP67 H=13/15/17/23/28.5/42	 WS-M010-5.0 10X10X5.0 IP67 WS-M010A-5.0 10X10X5.0 IP67	 WS-012-H IP67 12X12XH(H=4.3~19)	 WS-012A-H IP67 12X12XH(H=4.3~19)	
 WS-012-7.3F 12X12X7.3 IP67	 TSL-A061	 TSL-A061-DL2 ϕ 7.5 TSL-A061-3L2 ϕ 8.0 TSL-A061-7L2 ϕ 10	 TSL-A061-DL1 ϕ 7.5 TSL-A061-3L1 ϕ 8.0 TSL-A061-7L1 ϕ 10	 TSL-A061-2DL1 ϕ 7.5
 TSL-A061-F ϕ 10	 TSL-A073 7X7X7	 TSL-A063	 TSL-A063-DL1 ϕ 7.5 TSL-A063-3L1 ϕ 8.0 TSL-A063-7L1 ϕ 10	 TSL-012 12X12X7.3

选型说明 How to order

DM - F 02 BK T


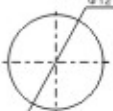
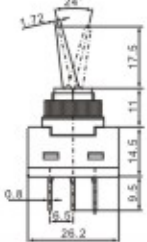
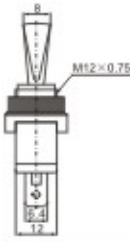

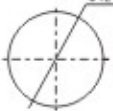
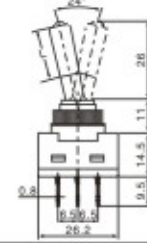
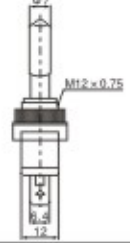


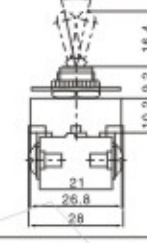


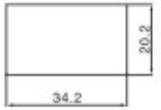
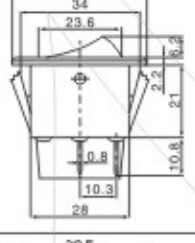
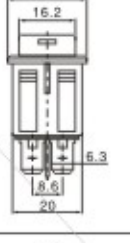


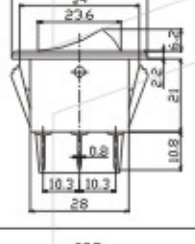
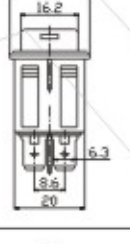



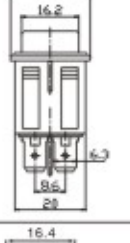

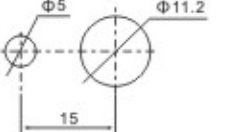
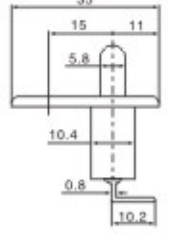
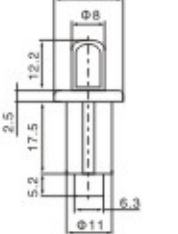
Model NO - Actuator - Position - Housing Color - Packing


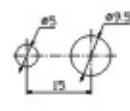
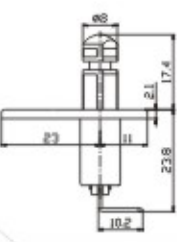
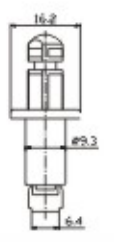

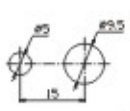
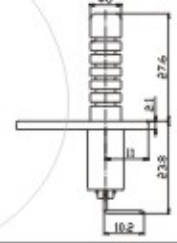
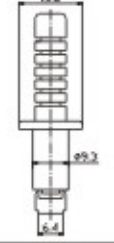

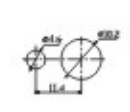
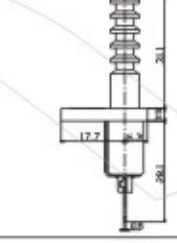


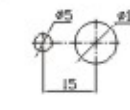
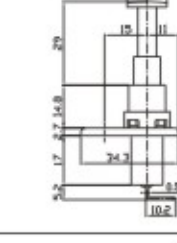
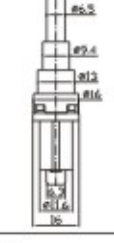

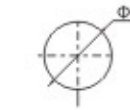
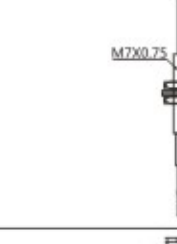


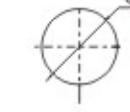



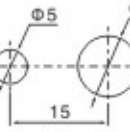
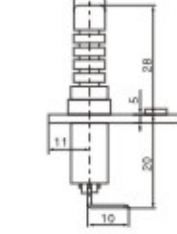
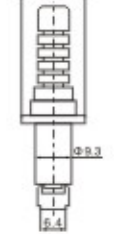
DS Slide Type	DI Low Profile Type	R Raised	01 1 Position	R 红色Red	T Tube
DA Right Angle Type	DM Low Profile SMT	F Flat	...	B 蓝色Blue	R Reel Packing
DP Piano Type	DM-1.27 Half-pitch SMT	T Tape seal	12 12 Positions	B 棕色Black	


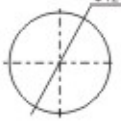
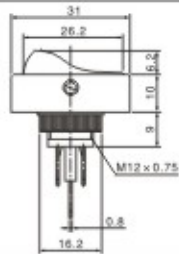
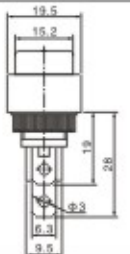


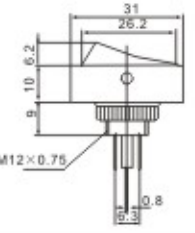
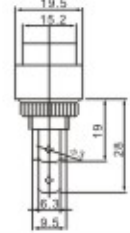


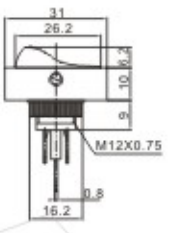
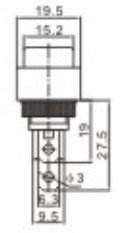

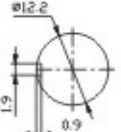
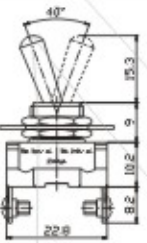


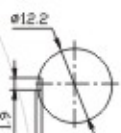
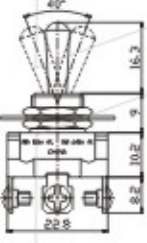
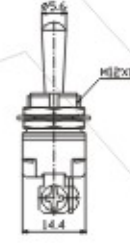

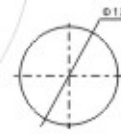
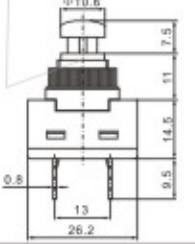
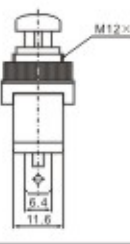

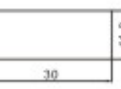
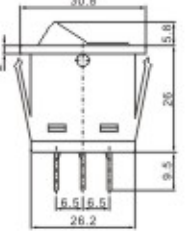
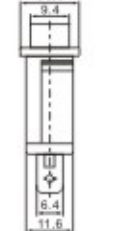
 <p>DS-01 DS-02 DS-03 DS-04 DS-05 DS-06 DS-07 DS-08 DS-09 DS-10 DS-12</p>  <p>ON 1 2 3 4 5 6 7 8 A 2.54X(P-1) 7.62 ϕ0.97</p>	 <p>DP-02 DP-03 DP-04 DP-05 DP-06 DP-07 DP-08 DP-10 DP-12</p>  <p>ON 1 2 3 4 2.54X(P-1) 7.62 ϕ0.97</p>
 <p>DA-02 DA-03 DA-04 DA-05 DA-06 DA-07 DA-08 DA-10 DA-12</p>  <p>ON 1 2 3 4 5 6 7 8 A 2.54X(P-1) 2.3 2.54 ϕ0.97</p>	 <p>DI-R01 DI-R02 DI-R03 DI-R04 DI-R05 DI-R06 DI-R07 DI-R08 DI-R10 DI-R12</p>  <p>ON 1 2 3 4 5 6 7 8 2.54X(P-1) 7.62 0.7 3.2 4.75 2.54</p>
 <p>DI-F01 DI-F02 DI-F03 DI-F04 DI-F05 DI-F06 DI-F07 DI-F08 DI-F10 DI-F12</p>  <p>ON 1 2 2.54X(P-1) 7.62 3.2 4.75 2.54 1.50</p>	 <p>DM-R01 DM-R02 DM-R03 DM-R04 DM-R05 DM-R06 DM-R07 DM-R08 DM-R10 DM-R12</p>  <p>ON 1 2 3 4 2.54X(P-1) 1.10 2.54 7.4 12.6 1.0 0.7 3.2 12.54 B</p>
 <p>DM-F01 DM-F02 DM-F03 DM-F04 DM-F05 DM-F06 DM-F07 DM-F08 DM-F10 DM-F12</p>  <p>ON 1 2 3 4 2.54X(P-1) 1.10 2.54 7.4 12.6 1.0 0.7 3.2 12.54 B</p>	 <p>DM-1.27-02 DM-1.27-03 DM-1.27-04 DM-1.27-05 DM-1.27-06 DM-1.27-07 DM-1.27-08 DM-1.27-10 DM-1.27-12</p>  <p>ON 1 2 3 4 5 6 7 8 1.27X(P-1) 0.76 1.27 4.90 0.15 7.40 0.10 0.10 4.50 6.70</p>


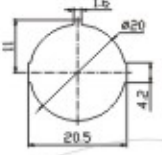
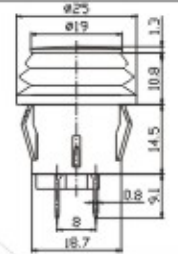
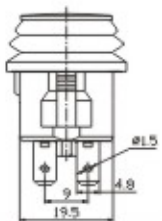

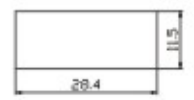
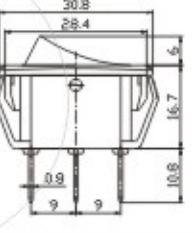
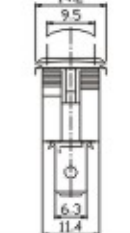


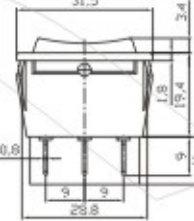
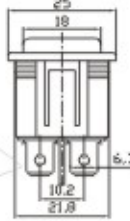


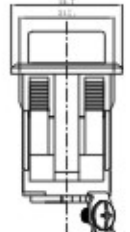
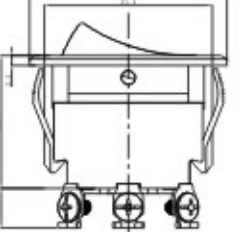


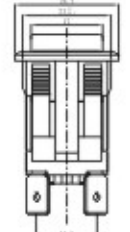
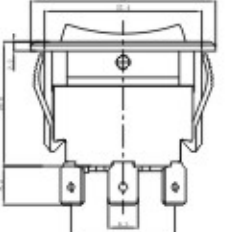

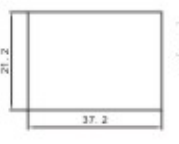
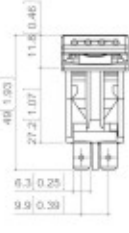
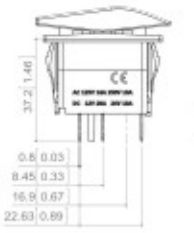

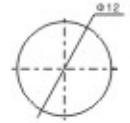
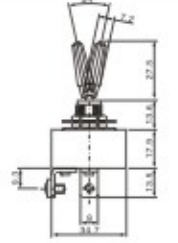
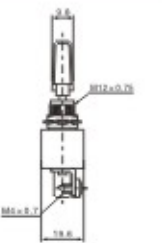
MSK-12C02	MSS-22C01	MSS-22D18	MSS-23C01	SS-12D00	SS-12D06 3A 250VAC
SS-12D07	SS-12D10 3A 250VAC	SS-12E08 3A 250VAC	SS-12F15	SS-12F17	SS-12F23
SS-12F24	SS-12F25	SS-12F44	SS-12G91	SS-13D07	SS-13F11
SS-13F23	SS13-10K 6A 250VAC	SS-22D07	SS-22F07	SS-22F24	SS-22F25
SS-22F32	SS-22G04 1.5A 250VAC	SS-22H02	SS-22I02 1.5A 250VAC	SS-22K35 1.5A 250VAC	SS-23D03
SS-23D07	SS-23E04	SS-23E08	SS-23F19 1.5A 250VAC	SS-23E26 1.5A 250VAC	SS-23F02
SS-23F04	SS-23H25 3A 250VAC	SS-23L03 3A 250VAC	SS-23L04 3A 250VAC	SS-24D01	SS-24E04


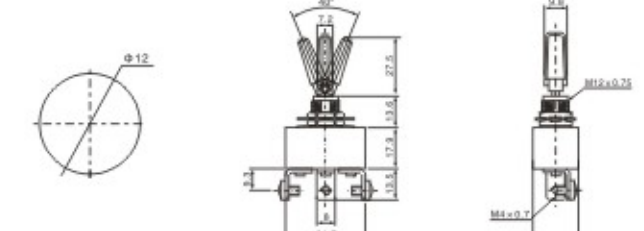

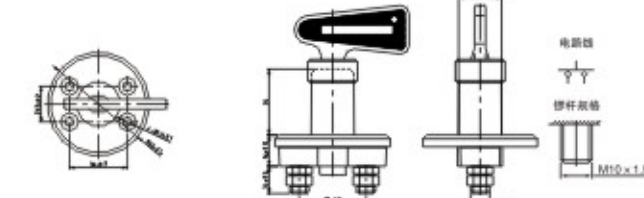

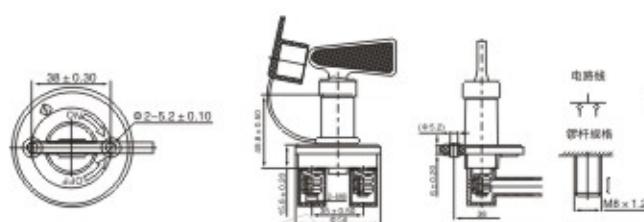

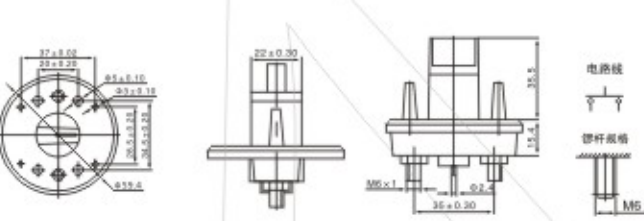

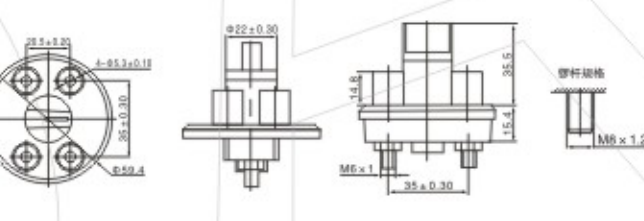





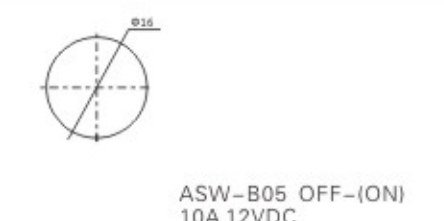
SS-24H02	SS-24N01 3A 250VAC	SS-42F11	SS-42H03	SS-42H08	SS-43D01
SK-12D07	SK-13D07	SK-22D02	SK-22F01	SK-22F12	SK-22H04
SK-22H05	SK-23D04	SK-23D06	SK-23D07	SK-23E01	SK-43D03
TS-22E01AT15	TS-23E01AT15	XC-1210 5A 250VAC	DB-14 12A 250VAC	SS-12N03 5A 250VAC	SS-22N03 5A 250VAC
SS-22N04 10A 250VAC	SS-22N02 Solder pin SS-22N06 PCB Pin 10A 250VAC	SS-23N02 8A 250VAC	SS-23N06 8A 250VAC	SS-24N02 Solder pin SS-24N06 PCB Pin 8A 250VAC	SS8-1 3A 250VAC
SS8-2 3A 250VAC	SS8-3 3A 250VAC	SS8-5 3A 250VAC	SS8-6 3A 250VAC	SS8-7 3A 250VAC	SS8-8 3A 250VAC

	ASW-26-101 SPST 2P ON-OFF ASW-26-102 SPDT 3P ON-ON 20A 12VDC; 10A 125VAC			
	ASW-15D L=18 ASW-15D-2 L=20 SPST 3P ON-OFF(with LED) 20A 12VDC			
	ASW-16-101 SPST 2P ON-OFF 20A 12VDC; 10A 125VAC			
	ASW-17D DPST 4P ON-OFF(with LED) 35A 12VDC			
	ASW-17-201 DPST 4P ON-OFF ASW-17-202 DPDT 6P ON-ON 35A 12VDC; 16A 250VAC			
	ASW-17-201N DPST 4P ON-OFF(with lamp) ASW-17-202N DPDT 6P ON-ON(with lamp) 35A 12VDC; 16A 250VAC			
	ASW-18 ON-(OFF) 20A 12VDC			

	ASW-18-2 ON-(OFF) 20A 12VDC			
	ASW-18-3 ON-(OFF) 20A 12VDC			
	ASW-18-4 ON-(OFF) 20A 12VDC			
	ASW-19 ON-(OFF) 20A 12VDC			
	PIN-2 ON-(OFF) 20A 12VDC			
	PIN-7 ON-(OFF) 20A 12VDC			
	PIN-10R ON-(OFF) 20A 12VDC			

	ASW-20D SPST 3P ON-OFF(with LED) 20A 12VDC			
	ASW-20D-2 SPST 3P ON-OFF(with lamp) 20A 12VDC			
	ASW-20D-3 SPST 3P ON-OFF(with lamp) 20A 12VDC			
	ASW-23-101 6A 120VDC;3A 240VAC ASW-23-101A 15A 120VDC;10A 240VAC SPST 2P ON-OFF			
	ASW-23-103A SPDT 3P ON-OFF-ON 15A 120VDC;10A 240VAC			
	ASW-24 SPST 2P (ON)-OFF 20A 12VDC;10A 125VAC			
	ASW-25D SPST 3P ON-OFF(with lamp) ASW-25-101 SPST 2P ON-OFF ASW-25-102 SPDT 3P ON-ON 20A 12VDC;10A 125VAC			

	ASW-29D SPST 3P ON-OFF(with LED) ASW-29 SPST 2P ON-OFF ASW-29E-D SPST 3P ON-OFF(with dot LED) 10A 125VAC;20A 12VDC;IP65			
	IRS-101-13D SPST 3P ON-OFF(with lamp) RS-101-13 SPST 2P ON-OFF 25A 12VDC			
	RS-201-4C DPST 4P ON-OFF RS-202-4C DPDT 6P ON-ON RS-203-4C DPDT 6P ON-OFF-ON RS-223-4C DPDT 6P (ON)-OFF-(ON) 35A 12VDC;20A 125VAC			
	KCD2-7-101 KCD2-7-101S SPST 2P ON-OFF KCD2-7-102 KCD2-7-102S SPDT 3P ON-ON KCD2-7-103 KCD2-7-103S SPDT 3P ON-OFF-ON KCD2-7-123 KCD2-7-123S SPDT 3P (ON)-OFF-(ON) 30A 12VDC;16A 250VAC *S*: screw terminal			
	KCD2-7-201 KCD2-7-201S DPST 4P ON-OFF KCD2-7-202 KCD2-7-202S DPDT 6P ON-ON KCD2-7-203 KCD2-7-203S DPDT 6P ON-OFF-ON KCD2-7-223 KCD2-7-223S DPDT 6P (ON)-OFF-(ON) KCD2-7-223B DPDT 4P (ON)-OFF-(ON)			
	DR-A11L25A 5P ON-OFF Dual LED DR-A11L25B 5P (ON)-OFF Dual LED DR-A11L27G 7P (ON)-OFF-(ON) Dual LED DR-A11L13A 3P ON-OFF Single LED 20A 12VDC;IP67 Laserable			
	R13-401-101 SPST 2P ON-OFF 50A 12VDC			

	R13-401-103 SPDT 3P ON-OFF-ON 50A 12VDC	
	ASW-A01 300A 60VDC	
	ASW-A01B 300A 60VDC	
	ASW-A03 300A 60VDC	
	ASW-A04 300A 60VDC	
	ASW-A06 300A 60VDC	
	ASW-B04 OFF-(ON) 10A 12VDC	
	ASW-B05 OFF-(ON) 10A 12VDC	

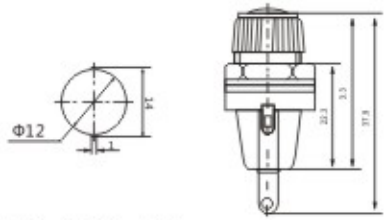

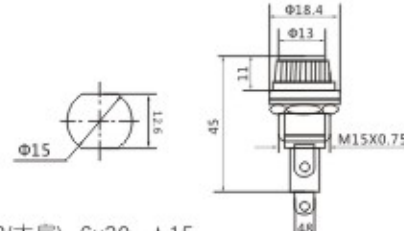

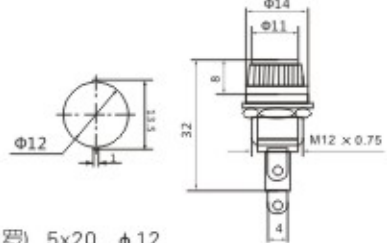

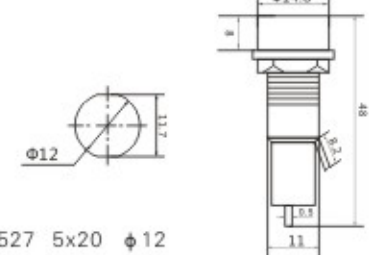

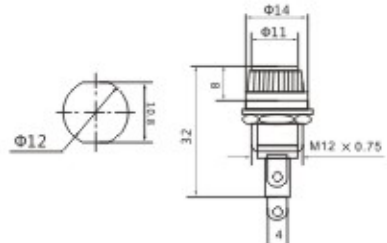

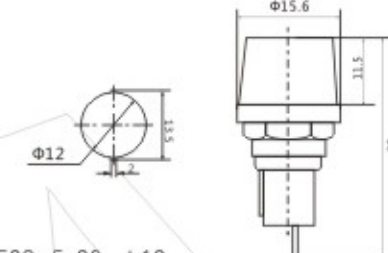

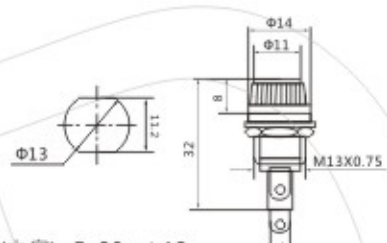

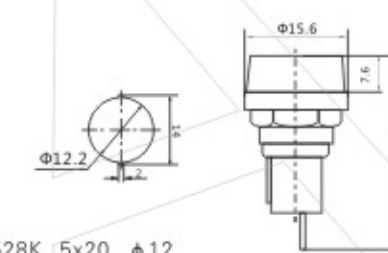

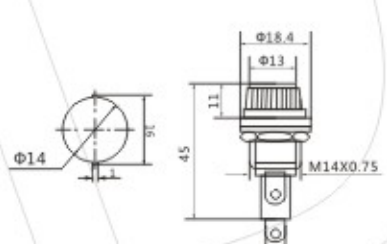

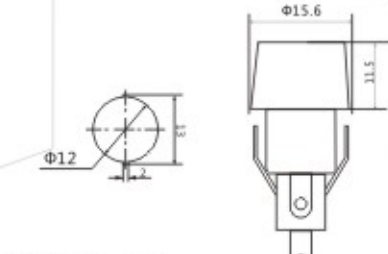

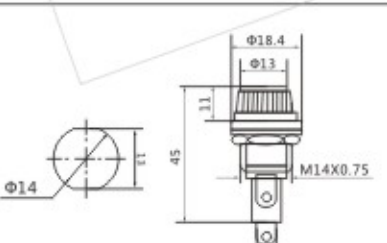

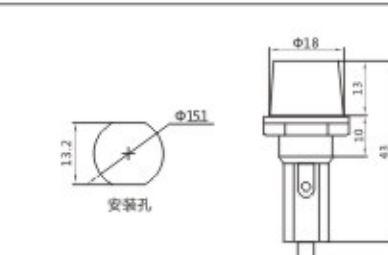
	DR-01 cigarette lighter		DR-02(with cable&LED) DR-03(with cable,no LED) DE-03(without cable,with LED) DE-04(without cable&LED)
	DE-01 cigarette plug		DE-02 cigarette plug
	DS2013 USB socket		DS4010A Voltmeter socket
	DS8010 Voltmeter/Ammeter socket		PN-L3S2 switch panel
	JD1912 4P JD1914 5P 30A/40A 12V/24VDC		JDS-1 (Pic.1) JDS-2 (Pic.2) JDS-3 (Pic.3)
	HH52P(MY2) coil voltage: 6V~250V Rating: 5A 240VAC/28VDC PYF08A Relay Socket		HH53P(MY3) coil voltage: 6V~250V Rating: 5A 240VAC/28VDC PYF11A Relay Socket
	HH54P(MY4) coil voltage: 6V~250V Rating: 3A 240VAC/28VDC PYF14A Relay Socket		JQX-13F(LY2) coil voltage: 6V~250V Rating: 10A 240VAC/28VDC PTF08A Relay Socket


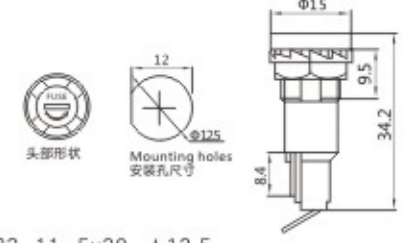

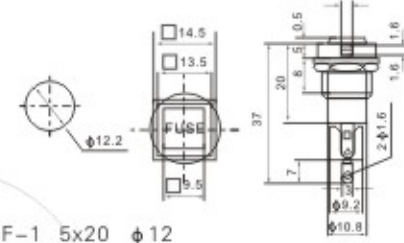

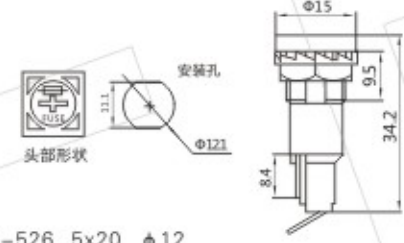

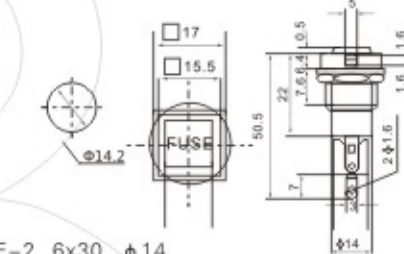

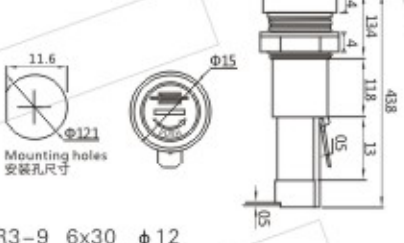

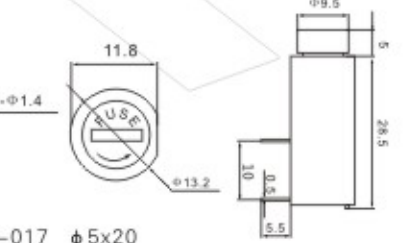

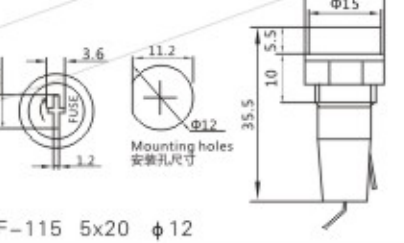

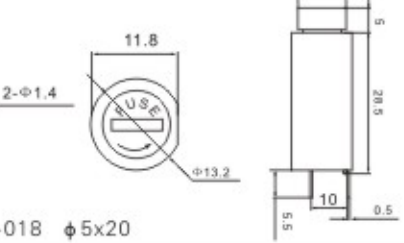

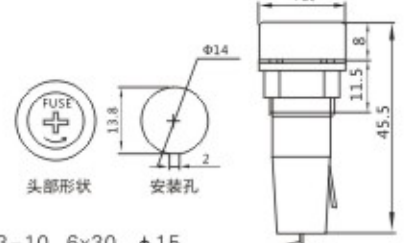


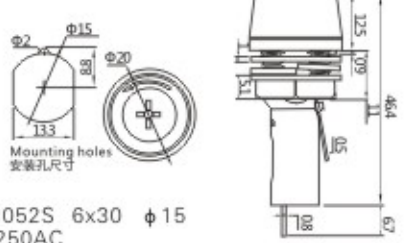

 WL-01	 GQ8B-D	 GQ19FS-D LAS3-19F-D 4Pin Triple LED
 WL-02S	 GQ8C-D	 GQ6A-D-2 (Flush Bezel) GQ6B-D-2 (Prominent Bezel)
 WL-03 12V/24V	 GQ12A-D (Pin) GQ12AS-D (Screw)	 GQ8A-D-2 (8mm) GQ8B-D-2 (8mm) GQ10A-D-2 (10mm) GQ10B-D-2 (10mm)
 WL-04 12V/24V	 GQ12C-D (Pin) GQ12CS-D (Screw)	 GQ12A-D-2 (12mm) GQ12B-D-2 (12mm) GQ14A-D-2 (14mm) GQ14B-D-2 (14mm)
 GQ6F-DW	 GQ16A-D-3 (Pin) GQ16AS-D-3 (Screw)	 GQ8B-DW-2 GQ10B-DW-2
 GQ8A-D	 GQ19A-D (Pin) GQ19AS-D (Screw) Laserable	 GQ14B-DW-2

 GQ16A-DW-2 Laserable	 XD7-1	 XD10-5
 XD22-6 XD22-8 XD22-10 XD22-12 XD22-14 XD22-16	 MDX-8	 XD10-6W
 XD8-1	 XD10-1	 XD10-7W
 XD8-1W	 XD10-3	 XD10-8W
 XD8-2	 XD10-3W-2	 XD10-10W
 XD8-2W	 XD10-4	 MDX-11A

 MDX-11AW	 PL1604	 NXD-213
 MDX-11B	 PL1604W	 DR016
 MDX-13	 XD15-1	 XCD2
 MDX-14A	 NXD-215	 KCD1-2-D
 MDX-14AW	 NXD-211	 KCD1-5-D
 MDX-14B	 NXD-212	 KCD3-D

 KCD2-D	 AD16-16SM Flash Buzzer 12V~380V	 MLH-5-1(φ5 LED) Metal Chrome
 NHC-10	 AD16-22DS	 MLH-3-2(φ3 LED) MLH-5-2(φ5 LED) Metal Chrome
 NHC-10W	 AD16-22SS Dual Color LED	 PLH-3(φ3 LED) PLH-8(φ8 LED) PLH-12(φ12 LED) Plastic Chrome
 PL-12	 AD16-22SM Flash Buzzer 12V~380V	 PLH-3K(φ3 LED) PLH-8K(φ8 LED) PLH-10K(φ10 LED) Plastic Black
 AD16-16E	 AD16-22DSV VOLT METER 50V~600V	 PLH-3K-2(φ3 LED) PLH-5K-2(φ5 LED) Plastic Black
 AD16-16C	 MLH-3(φ3 LED) MLH-5(φ5 LED) Metal Nickel	 PLH-3K-3(φ3 LED) PLH-5K-3(φ5 LED) Plastic Black

  <p>BLX-1(上罗) 5x20 ϕ 12</p>	  <p>FH-103(大扁) 6x30 ϕ 15</p>
  <p>BLX-2(圆罗) 5x20 ϕ 12</p>	  <p>MF-527 5x20 ϕ 12</p>
  <p>BLX-3(小扁) 5x20 ϕ 12</p>	  <p>MF-528 5x20 ϕ 12</p>
  <p>BLX-4(大扁) 5x20 ϕ 13</p>	  <p>MF-528K 5x20 ϕ 12</p>
  <p>FH-101(圆罗) 6x30 ϕ 14</p>	  <p>MF-300 5x20 ϕ 12</p>
  <p>FH-102(小扁) 6x30 ϕ 14</p>	  <p>R3-22A 6x30 ϕ 14</p>

  <p>R3-11 5x20 ϕ 12.5</p>	  <p>BF-1 5x20 ϕ 12</p>
  <p>MF-526 5x20 ϕ 12</p>	  <p>BF-2 6x30 ϕ 14</p>
  <p>R3-9 6x30 ϕ 12</p>	  <p>BF-017 ϕ 5x20</p>
  <p>BF-115 5x20 ϕ 12</p>	  <p>BF-018 ϕ 5x20</p>
  <p>R3-10 6x30 ϕ 15</p>	 <p>FS-101 ϕ 6x30 With Lamp</p>
  <p>CF-H052S 6x30 ϕ 15 20A 250AC</p>	 <p>FS-102 ϕ 6x30 With Lamp</p>

 BF-012 ϕ 5x20 Pitch=15mm	 BF-015 ϕ 5x20 Pitch=22.5mm	 F104-C2 ϕ 6x30
 BF-013 ϕ 5x20 Pitch=15mm	 BF-016 ϕ 6x30 Pitch=33mm	 F105-C ϕ 6x30
 MF-563 ϕ 5x20 Pitch=22.5mm	 F103-C1 ϕ 5x20	 F106-C ϕ 6x30
 BLX-A ϕ 5x20 Pitch=22.5mm	 F103-C2 ϕ 6x30	 F5X20 CLIP F6X30 CLIP
 BHC1 ϕ 5x20 Pitch=15mm	 F104-C1 ϕ 5x20	 QS-03 ATC Fuse

 QS-02 ATC Fuse	 F111-C ATC Fuse	 F116-C MAXI Fuse
 F107-C MINI Fuse	 F112-C ATC Fuse	 AGU-02
 F108-C ATC Fuse	 F114-C ATC Fuse	 ANL-04
 F109-C ATC Fuse	 F115-C ATC Fuse	 CB-02 circuit breaker
 F110-C ATC Fuse	 F113-C MAXI Fuse	 AFS-01 mini fuse holder

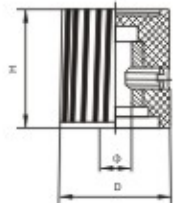


 DR-3A2IL DR-6A2IL DR-10A2IL	 ASP-1012	 CZ-220 大二线	 WP2-18
 DR-3AI2L DR-6AI2L DR-10AI2L	 ACP3-1	 CZ-330 大三线	 WP4-1 (孔距L=58mm)
 DR-3A2FIL DR-6A2FIL DR-10A2FIL	 CZ-200 小二线	 WP2-2 (孔距L=44.8mm)	 WP4-6
 DR-3A2FI3L DR-6A2FI3L DR-10A2FI3L	 CZ-300 小三线	 WP2-3 (孔距L=34.9mm)	 WP8-3
 DR-3A2FI4L DR-6A2FI4L DR-10A2FI4L	 CZ-301 扁三线	 WP2-5	 WP12-04

 KN-138A KN-138B	 KN-135A KN-135B	 KN-139A KN-139B																																														
<table border="1"> <thead> <tr> <th>型号Type</th> <th>印字Marking</th> <th>D</th> <th>H</th> <th>B</th> <th>Shaft Dia.</th> </tr> </thead> <tbody> <tr> <td>KN-138A</td> <td>Number:1-9</td> <td>23.8</td> <td>14</td> <td>15</td> <td>φ6.0 φ6.4</td> </tr> <tr> <td>KN-138B</td> <td>Delta mark</td> <td>23.8</td> <td>14</td> <td>15</td> <td>φ6.0 φ6.4</td> </tr> <tr> <td>KN-135A</td> <td>Number:1-9</td> <td>29</td> <td>19</td> <td>16.4</td> <td>φ6.0 φ6.4</td> </tr> <tr> <td>KN-135B</td> <td>Delta mark</td> <td>29</td> <td>19</td> <td>16.4</td> <td>φ6.0 φ6.4</td> </tr> <tr> <td>KN-139A</td> <td>Number:1-9</td> <td>36.5</td> <td>15.2</td> <td>20</td> <td>φ6.0 φ6.4</td> </tr> <tr> <td>KN-139B</td> <td>Delta mark</td> <td>36.5</td> <td>15.2</td> <td>20</td> <td>φ6.0 φ6.4</td> </tr> </tbody> </table>				型号Type	印字Marking	D	H	B	Shaft Dia.	KN-138A	Number:1-9	23.8	14	15	φ6.0 φ6.4	KN-138B	Delta mark	23.8	14	15	φ6.0 φ6.4	KN-135A	Number:1-9	29	19	16.4	φ6.0 φ6.4	KN-135B	Delta mark	29	19	16.4	φ6.0 φ6.4	KN-139A	Number:1-9	36.5	15.2	20	φ6.0 φ6.4	KN-139B	Delta mark	36.5	15.2	20	φ6.0 φ6.4			
型号Type	印字Marking	D	H	B	Shaft Dia.																																											
KN-138A	Number:1-9	23.8	14	15	φ6.0 φ6.4																																											
KN-138B	Delta mark	23.8	14	15	φ6.0 φ6.4																																											
KN-135A	Number:1-9	29	19	16.4	φ6.0 φ6.4																																											
KN-135B	Delta mark	29	19	16.4	φ6.0 φ6.4																																											
KN-139A	Number:1-9	36.5	15.2	20	φ6.0 φ6.4																																											
KN-139B	Delta mark	36.5	15.2	20	φ6.0 φ6.4																																											
 KN-33B	 KN-32																																															
 ZJ22-23 ZJ22-27 ZJ44-26-6 ZJ40-37-6	<table border="1"> <thead> <tr> <th>型号Type</th> <th>窗口显字 Number in window</th> <th>D</th> <th>H</th> <th>Shaft Dia.</th> </tr> </thead> <tbody> <tr> <td>ZJ22-23-4</td> <td>1 or 3</td> <td>22</td> <td>23</td> <td>φ4.0</td> </tr> <tr> <td>ZJ22-23-6</td> <td>1 or 3</td> <td>22</td> <td>23</td> <td>φ6.0</td> </tr> <tr> <td>ZJ22-23-6.4</td> <td>1 or 3</td> <td>22</td> <td>23</td> <td>φ6.4</td> </tr> <tr> <td>ZJ22-27-4</td> <td>1 or 3</td> <td>22</td> <td>27</td> <td>φ4.0</td> </tr> <tr> <td>ZJ22-27-6</td> <td>1 or 3</td> <td>22</td> <td>27</td> <td>φ6.0</td> </tr> <tr> <td>ZJ22-27-6.4</td> <td>1 or 3</td> <td>22</td> <td>27</td> <td>φ6.4</td> </tr> <tr> <td>ZJ44-26-6</td> <td>1 or 3</td> <td>44</td> <td>26</td> <td>φ6.0</td> </tr> <tr> <td>ZJ40-37-6</td> <td>NONE</td> <td>40</td> <td>37</td> <td>φ6.0</td> </tr> </tbody> </table>			型号Type	窗口显字 Number in window	D	H	Shaft Dia.	ZJ22-23-4	1 or 3	22	23	φ4.0	ZJ22-23-6	1 or 3	22	23	φ6.0	ZJ22-23-6.4	1 or 3	22	23	φ6.4	ZJ22-27-4	1 or 3	22	27	φ4.0	ZJ22-27-6	1 or 3	22	27	φ6.0	ZJ22-27-6.4	1 or 3	22	27	φ6.4	ZJ44-26-6	1 or 3	44	26	φ6.0	ZJ40-37-6	NONE	40	37	φ6.0
型号Type	窗口显字 Number in window	D	H	Shaft Dia.																																												
ZJ22-23-4	1 or 3	22	23	φ4.0																																												
ZJ22-23-6	1 or 3	22	23	φ6.0																																												
ZJ22-23-6.4	1 or 3	22	23	φ6.4																																												
ZJ22-27-4	1 or 3	22	27	φ4.0																																												
ZJ22-27-6	1 or 3	22	27	φ6.0																																												
ZJ22-27-6.4	1 or 3	22	27	φ6.4																																												
ZJ44-26-6	1 or 3	44	26	φ6.0																																												
ZJ40-37-6	NONE	40	37	φ6.0																																												
 KYP Series	<table border="1"> <thead> <tr> <th>型号Type</th> <th>D</th> <th>H</th> <th>h</th> <th>Shaft Dia.</th> </tr> </thead> <tbody> <tr> <td>KYP16-16-4</td> <td>16</td> <td>16</td> <td>13</td> <td>φ4.0</td> </tr> <tr> <td>KYP18-16-4</td> <td>18</td> <td>18</td> <td>13.5</td> <td>φ4.0</td> </tr> <tr> <td>KYP22-18-6</td> <td>22</td> <td>18</td> <td>14.5</td> <td>φ6.0</td> </tr> <tr> <td>KYP25-18-6</td> <td>25</td> <td>18</td> <td>15</td> <td>φ6.0</td> </tr> <tr> <td>KYP32-20-6</td> <td>32</td> <td>20</td> <td>15</td> <td>φ6.0</td> </tr> </tbody> </table>			型号Type	D	H	h	Shaft Dia.	KYP16-16-4	16	16	13	φ4.0	KYP18-16-4	18	18	13.5	φ4.0	KYP22-18-6	22	18	14.5	φ6.0	KYP25-18-6	25	18	15	φ6.0	KYP32-20-6	32	20	15	φ6.0															
型号Type	D	H	h	Shaft Dia.																																												
KYP16-16-4	16	16	13	φ4.0																																												
KYP18-16-4	18	18	13.5	φ4.0																																												
KYP22-18-6	22	18	14.5	φ6.0																																												
KYP25-18-6	25	18	15	φ6.0																																												
KYP32-20-6	32	20	15	φ6.0																																												
 MF-B03 MF-B02 MF-B01	<table border="1"> <thead> <tr> <th>型号Type</th> <th>D</th> <th>A</th> <th>H</th> <th>Shaft Dia.</th> </tr> </thead> <tbody> <tr> <td>MF-B01</td> <td>φ23.8</td> <td>φ13.8</td> <td>15</td> <td>φ6.0 φ6.4</td> </tr> <tr> <td>MF-B02</td> <td>φ28</td> <td>φ19.7</td> <td>15</td> <td>φ6.0 φ6.4</td> </tr> <tr> <td>MF-B03</td> <td>φ33.5</td> <td>φ23.4</td> <td>15</td> <td>φ6.0 φ6.4</td> </tr> </tbody> </table>			型号Type	D	A	H	Shaft Dia.	MF-B01	φ23.8	φ13.8	15	φ6.0 φ6.4	MF-B02	φ28	φ19.7	15	φ6.0 φ6.4	MF-B03	φ33.5	φ23.4	15	φ6.0 φ6.4																									
型号Type	D	A	H	Shaft Dia.																																												
MF-B01	φ23.8	φ13.8	15	φ6.0 φ6.4																																												
MF-B02	φ28	φ19.7	15	φ6.0 φ6.4																																												
MF-B03	φ33.5	φ23.4	15	φ6.0 φ6.4																																												
 MF-A05 MF-A04 MF-A03 MF-A02 MF-A01	<table border="1"> <thead> <tr> <th>型号Type</th> <th>D</th> <th>A</th> <th>H</th> <th>Shaft Dia.</th> </tr> </thead> <tbody> <tr> <td>MF-A01</td> <td>φ19.5</td> <td>φ12</td> <td>11.5</td> <td>φ6.0 φ6.4</td> </tr> <tr> <td>MF-A02</td> <td>φ22.9</td> <td>φ14.5</td> <td>12.7</td> <td>φ6.0 φ6.4</td> </tr> <tr> <td>MF-A03</td> <td>φ27</td> <td>φ21</td> <td>16</td> <td>φ6.0 φ6.4</td> </tr> <tr> <td>MF-A04</td> <td>φ33</td> <td>φ26</td> <td>16</td> <td>φ6.0 φ6.4</td> </tr> <tr> <td>MF-A05</td> <td>φ45</td> <td>φ37.1</td> <td>20.3</td> <td>φ6.0 φ6.4</td> </tr> </tbody> </table>			型号Type	D	A	H	Shaft Dia.	MF-A01	φ19.5	φ12	11.5	φ6.0 φ6.4	MF-A02	φ22.9	φ14.5	12.7	φ6.0 φ6.4	MF-A03	φ27	φ21	16	φ6.0 φ6.4	MF-A04	φ33	φ26	16	φ6.0 φ6.4	MF-A05	φ45	φ37.1	20.3	φ6.0 φ6.4															
型号Type	D	A	H	Shaft Dia.																																												
MF-A01	φ19.5	φ12	11.5	φ6.0 φ6.4																																												
MF-A02	φ22.9	φ14.5	12.7	φ6.0 φ6.4																																												
MF-A03	φ27	φ21	16	φ6.0 φ6.4																																												
MF-A04	φ33	φ26	16	φ6.0 φ6.4																																												
MF-A05	φ45	φ37.1	20.3	φ6.0 φ6.4																																												



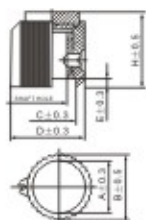
KYZ Series



型号Type	D	H	Shaft Dia.
KYZ12-16-4	12	16	φ4.0
KYZ14-18-4	14	18	φ4.0
KYZ16-18-4	16	18	φ4.0
KYZ18-18-6	18	18	φ4.0 φ6.0
KYZ20-18-6	20	18	φ4.0 φ6.0
KYZ25-18-6	25	18	φ6.0
KYZ32-16-6	32	16	φ6.0



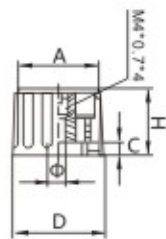
KN113 Series set screw



型号Type	A	B	C	D	E	H	Shaft Dia.
KN113-A	φ21.5	φ25.4	φ22	φ29.1	φ3.2	φ16.4	φ6.0 φ6.4
KN113-B	φ16.7	φ19.5	φ13.2	φ23	φ3	φ16.5	φ6.0 φ6.4
KN113-C	φ10.8	φ13.2	φ8.9	φ15	φ2.4	φ15.1	φ3.2 φ6.0



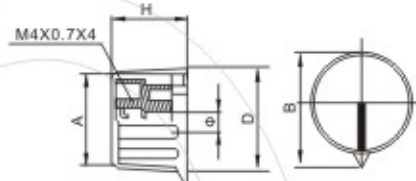
KN115 Series 螺母锁紧 Inner Lock



型号Type	A	D	C	H	Shaft Dia.
KN115-C	φ33	φ36.0	4	22	φ6.0 φ6.4
KN115-D	φ25	φ28.5	3.8	20.5	φ6.0 φ6.4
KN115-E	φ18.8	φ21.3	3	20	φ6.0 φ6.4
KN115-F	φ13.2	φ15.3	0	19.5	φ6.0 φ6.4



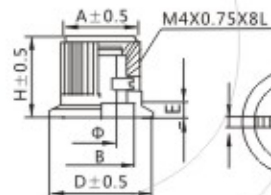
KN116 Series 螺母锁紧 Inner Lock



型号Type	A	B	D	H	Shaft Dia.
KN116-C	φ33	φ39	36.0	23	φ6.0 φ6.4
KN116-D	φ25	φ33	28.5	21.5	φ6.0 φ6.4
KN116-E	φ18.8	φ25	21.3	21	φ6.0 φ6.4
KN116-F	φ13.2	φ18	15.3	20.6	φ6.0 φ6.4



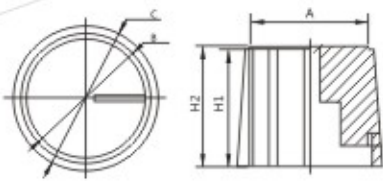
KN-8 Series



型号Type	A	B	D	E	H	F	Shaft Dia.
KN-8C	φ27	φ24.5	φ34.8	2.5	18	2.9	φ6.0 φ6.4
KN-8D	φ18	φ15	φ24	5	20	2.3	φ6.0 φ6.4
KN-8E	φ14.5	φ11.7	φ20.3	2.9	15.6	2	φ6.0 φ6.4
KN-8F	φ11.3	φ9.5	φ15.5	3	14.2	1.6	φ6.0 φ6.4



KN106 Series 螺母锁紧 Inner Lock



型号Type	A	B	C	H1	H2	Shaft Dia.
KN106-A	φ17.6	φ19	φ21.5	17.3	18	φ6.0
KN106-B	φ33.2	φ35	φ38	17.3	18.4	φ6.0

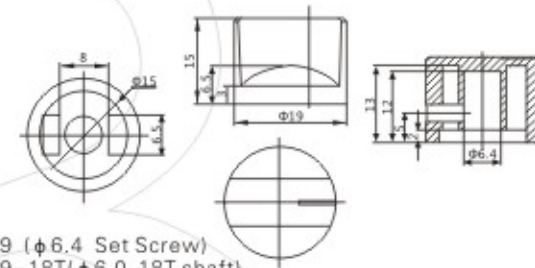


Aluminum Knob 18T shaft

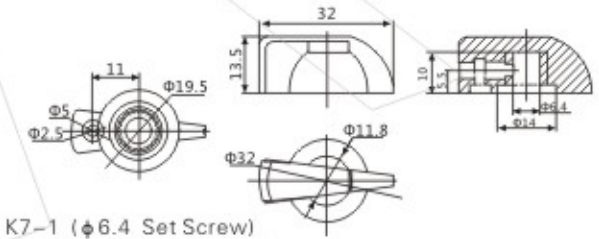
BLACK	SILVER	GOLD
A10X15	B10X15	C10X15
A13X17	B13X17	C13X17
A15X17	B15X17	C15X17
A17X17	B17X17	C17X17
A21X17	B21X17	C21X17
A21X13	B21X13	C21X13
A23X17	B23X17	C23X17
A26X17	B26X17	C26X17
A30X17	B30X17	C30X17
A32X17	B32X17	C32X17
A40X17	B40X17	C40X17
A48X17	B48X17	C48X17



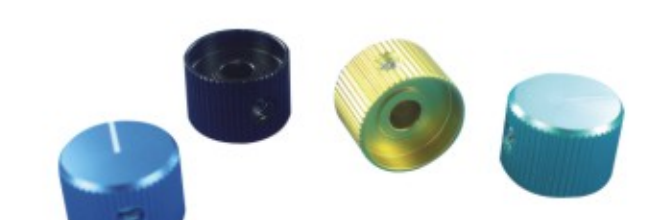
KN-19 (φ6.4 Set Screw)
KN-19-18T(φ6.0 18T shaft)



K7-1 (φ6.4 Set Screw)
K7-1-18T(φ6.0 18T shaft)



KN-1900H-S(φ12.7X16)



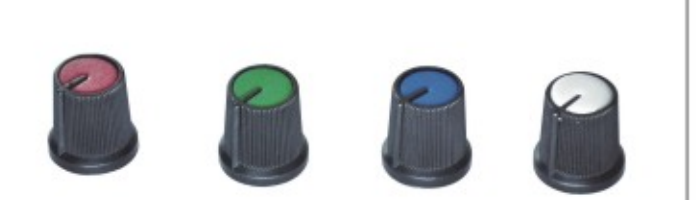
A-2014(φ20X14)



KN-1614(φ16X14) KN-1615(φ16X15) KN-1516(φ15X16)



KA483-5(φ15X17)



KA485-2(φ15X15)



KA485-4(φ15X15)

DC-002 ϕ 1.1mm	DC-005	DC-0053A	DC-0052	DC-0053
DC-021	DC-022 WPC-30 Cover	DC-022K	DC-022B WPC-31 Cover	DC-025M WPC-32 Cover
DC-012	DC-014	DC-098 ϕ 9mm DC-099 ϕ 11mm	DC2.1 DC2.5	DC2.1-F DC2.5-F
DC2.1-M1	DC2.1-T1 DC2.5-T1	DC2.1-T2 DC2.5-T2	DC2.1-F2 DC2.5-F2	CT3501-A (mono) CT3502-A (stereo)
BNC-12	BNC-13	RCA-101F	DC2.1-T1-B DC2.5-T1-B	DC2.1-F2-B DC2.5-F2-B
BNC-14	BNC-15	RCA-102F	RCA-102M	DC2.1-W DC2.1F-W

PJ-2.5-10 ϕ 2.5mm	2F01 ϕ 2.5mm 3F01 ϕ 3.5mm	2F01M ϕ 2.5mm 3F01M ϕ 3.5mm	2F02 ϕ 2.5mm 3F02 ϕ 3.5mm	3F07 ϕ 3.5mm
BJ3502 ϕ 3.5mm	EJ-214M ϕ 3.5mm	CT3501-F MONO CT3502-F STEREO	CT2501 ϕ 2.5mm CT3501 ϕ 3.5mm	CT2502 ϕ 2.5mm CT3502 ϕ 3.5mm
CT2503 ϕ 2.5mm CT3503 ϕ 3.5mm	CT2504 ϕ 2.5mm CT3504 ϕ 3.5mm	PJ-617	PJ-629HAN	PJ-644C
PJ-644D	PJ-644F	PJ-669 (mono) PJ-670 (stereo)	CT6351	CT6352
CT6353	CT6356	AV-1	AV-5 2P AV-5K 3P	AV2-8.4-7
AV4-8.4-7	RCA-209	RCA-214	RCA-104	RCA-105

 CX-2067 ϕ 2mm	 CX-01 ϕ 4mm	 CX-08 ϕ 4mm	 CX-3022 ϕ 4mm	 CZ1 ϕ 4mm
 CX-2068 ϕ 2mm	 CX-02 ϕ 4mm	 CX-2070 ϕ 4mm	 CX-3029 ϕ 4mm	 CZ2 ϕ 4mm
 CX-3041 ϕ 2mm	 CX-03 ϕ 4mm	 CX-2072 ϕ 4mm	 CX-3044 ϕ 4mm	 CZ3 ϕ 4mm
 CZ-2082 ϕ 2mm	 CX-05 ϕ 4mm	 CX-2073 ϕ 4mm	 CX-3048 ϕ 4mm	 CZ4 ϕ 4mm
 CZ-2086 ϕ 2mm	 CX-06 ϕ 4mm	 CX-2074 ϕ 4mm	 CX-3050 ϕ 4mm	 CZ-2022 ϕ 4mm
 CZ-2091 ϕ 2mm	 CX-07 ϕ 4mm	 CX-3018 ϕ 4mm	 CX-3051 ϕ 4mm	 CZ-3052 ϕ 4mm

 JS3-1 ϕ 4x39mm JS3-2 ϕ 4x36mm JS3-3 ϕ 3x28mm	 JS-999B-2 ϕ 4mm	 JS-2001 M6 40A JS-2003 M8 60A JS-2005 M10 100A
 JS-900A ϕ 3mm JS-910A ϕ 4mm JS-999A ϕ 5mm	 JS-2019 ϕ 5x48mm 30A	 JS-333 ϕ 6mm JS-555 ϕ 8mm JS-555B ϕ 10mm
 JS-107 ϕ 5mm	 JS-2020 ϕ 5mm	 JS-633 ϕ 10mm
 JS-910B ϕ 4mm	 JS-2030 ϕ 3mm	 JS-2048 ϕ 4mm
 JS-9222 ϕ 4mm	 JS-2031 ϕ 4mm	 JS-2043
 JS-999B ϕ 4mm	 JS-2032	 JS-301 ϕ 8x46mm JS-302 ϕ 4x42mm

 WD025 L=27.5mm 5A WD026 L=35mm 5A WD027 L=42.5mm 10A	 WD037 L=75mm 30A WD033 L=100mm 50A	 WD200W 200A WD400W 400A WD600W 600A WD1000W 1000A	 WD1075 L=50mm 10A
 WD038A L=27.5mm 5A WD038B L=35mm 5A WD038C L=42.5mm 10A	 WD035 L=75mm 30A	 WD023 L=55mm 20A WD1069 L=84mm 30A	 WD1076 L=80mm 40A
 WD032 L=43mm 5A WD036 L=54mm 10A WD038 L=65mm 20A WD039 L=71mm 30A	 WD040 L=105mm 100A	 WD259 L=51mm 19A	 WD1096 L=32/50mm 10A WD1101 L=42/57mm 30A
 WD028A L=33mm 5A WD028B L=41mm 5A WD028C L=51.5mm 10A	 WD020 L=93mm	 WD1070 L=28/41mm 10A	 WD1106 L=72/82mm 50A
 WD029 L=55/66mm 10A	 WD021 L=125mm	 WD1071 L=52mm 10A	 WD1096+CX-3044 4mm plug, 1 meter
 WD031 L=50mm 10A	 WD022 L=150mm Brass plated 镀铜	 WD1072 L=90mm 20A	 WD1088 L=190mm 100A

 BH5-1001(1AA) BH7-1001(1AAA)	 BH5-1003(1AA W/ switch)	 BH5-2001(2AA) BH7-2001(2AAA)	 BH5-2002(2AA) BH7-2002(2AAA)
 BH5-2003(2AA W/ switch) BH7-2003(2AAA W/ switch)	 BH5-2004(2AA) BH7-2004(2AAA)	 BH5-3001(3AA) BH7-3001(3AAA)	 BH5-3003(3AA W/ switch) BH7-3003(3AAA W/ switch)
 BH5-3007(3AA) BH7-3007(3AAA)	 BH5-3010(3AA) BH7-3010(3AAA)	 BH5-4001(4AA) BH7-4001(4AAA)	 BH5-4002(4AA) BH7-4002(4AAA)
 BH5-4003(4AA W/ switch) BH7-4003(4AAA W/ switch)	 BH5-4005K(4AA) BH7-4005K(4AAA)	 BH5-6002(6AA) BH7-6002(6AAA)	 BH5-6003(6AA W/ switch)
 BH5-8002(8AA) BH7-8002(8AAA)	 BH5-8003(8AA W/ switch)	 BH5-8006K(8AA)	 WBH5-3004(3AA) IP65
 WBH5-3005(3AA) IP65	 BH18650-1001P(1x18650) BH18650-2001(2x18650) BH18650-3001(3x18650)		

 BH18650-4001(4x18650)	 BH2032-3(CR2032)	 BH2032-5(CR2032)	 SBH-9V(9V)
 BH-9VPC (9V)	 DCK1	 DCK7	 DCK2
 DCK3	 DCK4	 DCK6	 DCK10
 222-102; 222-103 222-105	 773-102; 773-104 773-106; 773-108	 224-101	 221-102; 221-103 221-104; 221-105
 Rubber boot DJ622-D2.8 DJ622-D4.8 DJ622-D6.3	 DJ622-J2.8 DJ622-J4.8 DJ622-J6.3	 DJ614-2.8X0.8B DJ619-4.8X0.8B DJ612-6.3	 DJ4311 Series
 PH Series(2.0mm)	 XH Series(2.54mm)	 2510 Series(2.54mm)	 VH Series(3.96mm)

 E Series	 FDD Series	 MDFN Series(PA66)	 HSRT Series HEAT SHRINKABLE
 TE Series	 MDD Series	 FDFNY Series(PA66)	 HSYT Series HEAT SHRINKABLE
 EN Series	 PBDD Series	 MDFNY Series(PA66)	 HSFT Series HEAT SHRINKABLE
 RV Series	 FDFD Series	 FLDNY Series(PA66)	 HSMT Series HEAT SHRINKABLE
 SV Series	 MPD Series	 BV Series	 SC Series
 RNY Series(PA66)	 FRD Series	 KW4; KW5; KW6	 CH-2; CH-3
 SNY Series(PA66)	 FDFN Series(PA66)	 SP Series	 DJ7011; DJ7021; DJ7031 DJ7041; DJ7051; DJ7061